
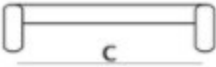

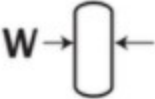
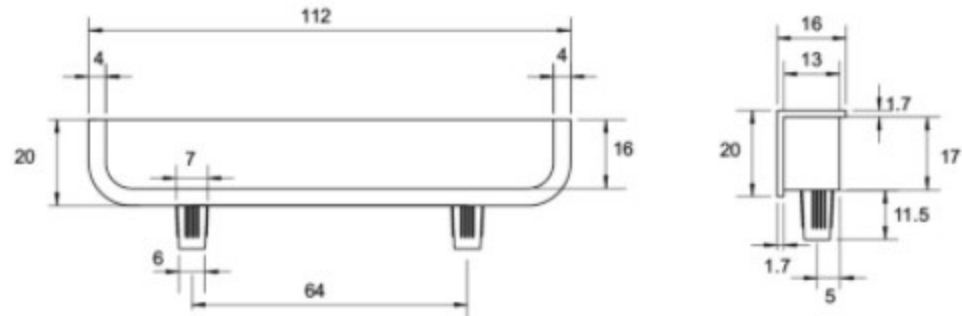


Material:	Die-cast Zinc		
Article number:	L818 / reference C / colour		
 A 112	 C 64	 P 0	 W 0
Colours available:	Matt Nickel (MN)		



Note: Dowel hole size recommended at approximately 7mm however, test prior to production as density of board may vary.

This pull is similar to L820 but with different cutout. Please check actual product before machining panels