

FRITSJURGENS SYSTEM M+/M



## SYSTEM M+

### SYSTEM SPECIFICATIONS

Types	M32+ SCA M32+ SCB M32+ SCC M32+ SCD M32+ SCE	M42+ SCF M42+ SCG
Dimensions	M32+ 294,8 x 32 x 99,6 mm	M42+ 308,2 x 42 x 112,7 mm
Weight	2,6 KG	3,6 KG
Material	Stainless Steel   Anodized aluminum	
Corrosion resistance	EN 1670 - class 5 (norm:0-5)	

### DOOR SPECIFICATIONS

Door acting	Double-acting   180° rotation Single-acting   90° rotation with door frames* <i>*Due to Latch Control (see previous page)</i>	
Hold positioning	Hold positions 90°, -90° and 0°	
Weight capacity	20-500 KG	
Door width	400 - 5000 mm	
Door height	Unlimited	
Pivot point	Min. 91 mm from pivot point to short side	
Min. door thickness	M32+ 40 mm	M42+ 50 mm

### DOOR MOVEMENT

Door movement	Self-closing from 125° and -125° to 0° <b>Damper Control</b> - Back-check for damping on opening, soft-close. <b>30° Speed Control</b> - Adjustable closing speed in last part of closing. <b>Latch Control</b> - Accelerates the door shortly before closed position.
---------------	---

*All controls can be individually adjusted from the bottom of the door.*

## SYSTEM M

### SYSTEM SPECIFICATIONS

Types	M32 SCAA M32 SCA M32 SCB M32 SCC
Dimensions	294,8 x 32 x 99,6 mm
Weight	2,6 KG
Material	Stainless Steel   Anodized aluminum
Corrosion resistance	EN 1670 - class 5 (norm:0-5)

### DOOR SPECIFICATIONS

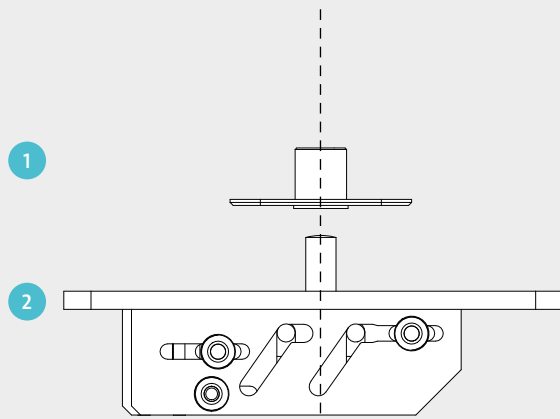
Door acting	Double-acting   180° rotation Single-acting   90° rotation
Hold positioning	Hold positions 90°, -90° and 0°
Weight capacity	20-210 KG
Door width	400 - 4400 mm
Door height	Unlimited
Pivot point	Min. 91 mm from pivot point to short side
Min. door thickness	40 mm

### DOOR MOVEMENT

Door movement	Self-closing from 125° and -125° to 0° <b>Damper Control</b> - Back-check for damping on opening, soft-close.
---------------	--

*Control can be individually adjusted from the bottom of the door.*

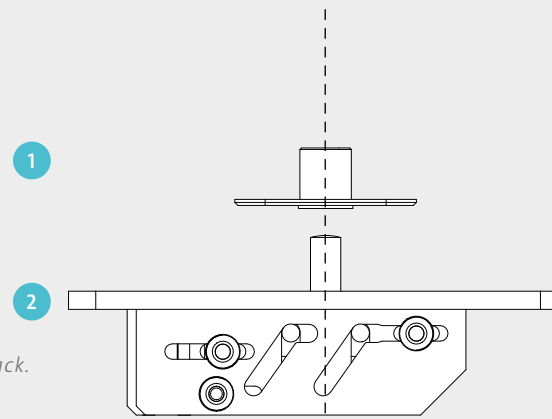
System M+ offers absolute control over the movement of pivot doors that weigh 20 to 500 kg and System M does this for doors between 20 and 210 kg. Both systems are equipped with FlowMotion technology.



### SYSTEM M+ COMPONENTS

1. Ceiling plate (300352)
2. Top pivot (200201)
3. System M+ (100532)
4. Square floor plate (400711) or Round floor plate (400411)

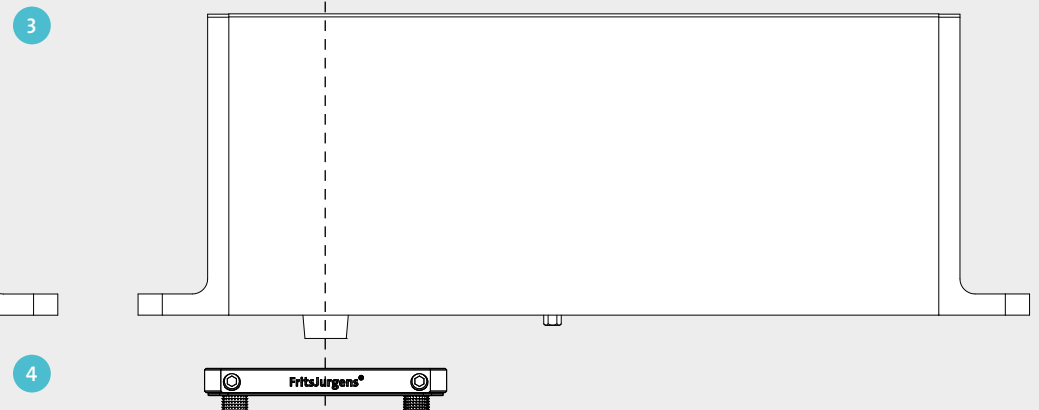
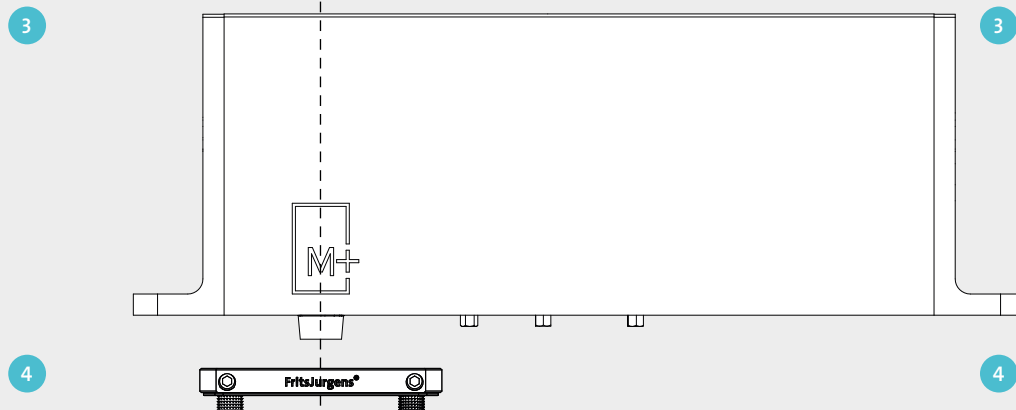
*Ceiling plate and floor plate in stainless steel (Series 420) or PVD black. Including mounting set (704000)*



### SYSTEM M COMPONENTS

1. Ceiling plate (300352)
2. Top pivot (200201)
3. System M (100332)
4. Square floor plate (400711) or Round floor plate (400401)

*Ceiling plate and floor plate in stainless steel (Series 420) or PVD black. Including mounting set (704000)*

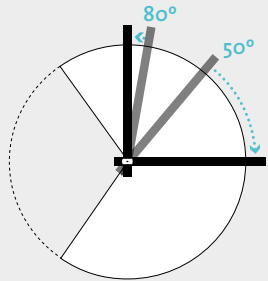


System M+ and System M include the components stated above. Both a square and a round floor plate are available in stainless steel (series 420) and PVD black. The floor plates are made of solid tempered steel and therefore fully corrosion and scratch resistant. The ceiling plate is also available in stainless steel and black to match with the chosen floor plate.

## SYSTEM M+ WITH FLOWMOTION®

### DAMPER CONTROL

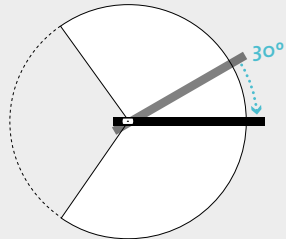
---



Damper Control has two functions. The hydraulic back-check protects the pivot door against touching the wall by providing adjustable resistance as the door approaches the 80° position. The closing damping makes the door close smoothly.

### 30° SPEED CONTROL

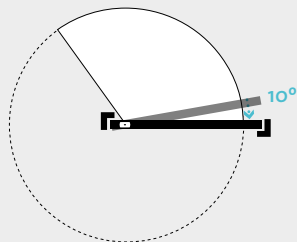
---



30° Speed Control allows you to fine-tune the speed of the pivot door through the last 30° of the closing movement.

### LATCH CONTROL

---

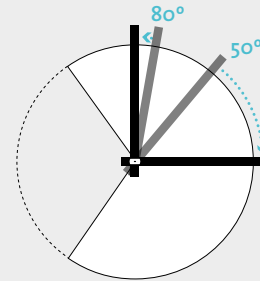


Latch Control provides the ability to adjust the closing speed to latch the door properly. Latch Control enables the door to accelerate in the last 10° to ensure proper latching of the door.

## SYSTEM M WITH FLOWMOTION®

### DAMPER CONTROL

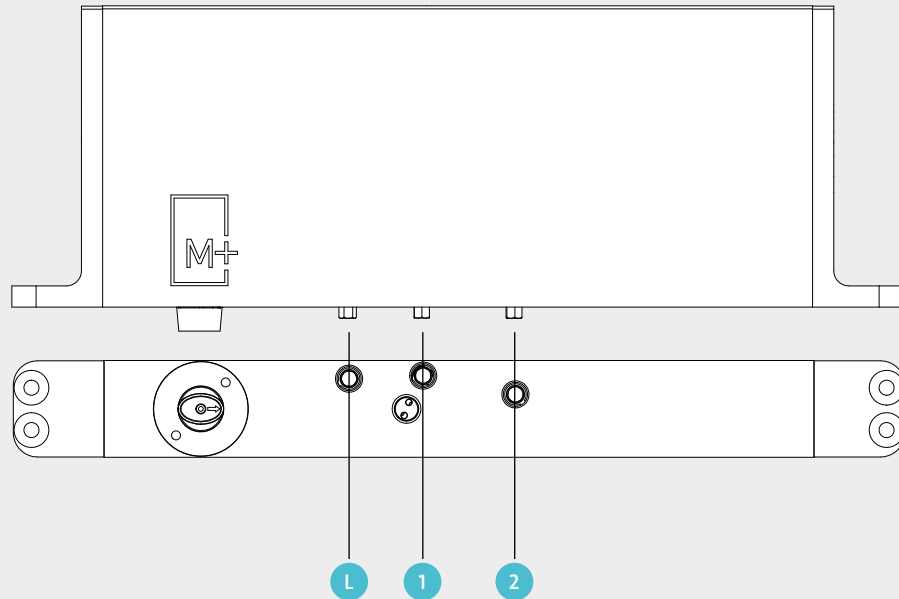
---



Damper Control has two functions. The hydraulic back-check protects the pivot door against touching the wall by providing adjustable resistance as the door approaches the 80° position. The closing damping makes the door close smoothly.

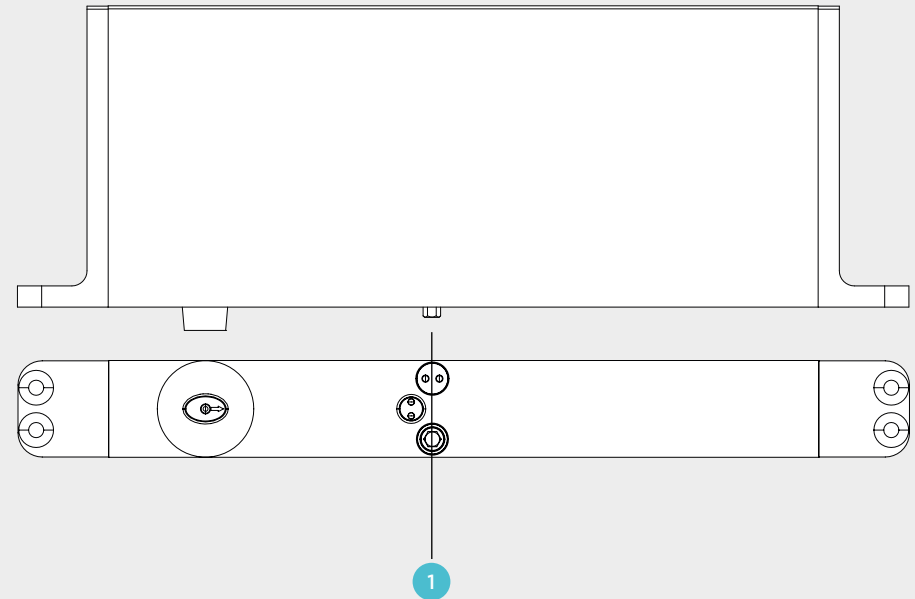
In System M+ and System M the movement of the pivot door is created and controlled by FlowMotion. System M+ provides extra levels of adjustability. It enables you to fully control the closing movement of the pivot door by means of the 30° Speed Control and Latch Control.

## SYSTEM M+ WITH FLOWMOTION®



- 1 Damper Control** Ensures a smooth and elegant closing movement and protects your door from touching the wall (back-check).
- 2 30° Speed Control** Allows you to determine the speed of the pivot door through the last part of the closing movement.
- L Latch Control** Provides the ability to adjust the pivot hinge to latch the door properly.

## SYSTEM M WITH FLOWMOTION®



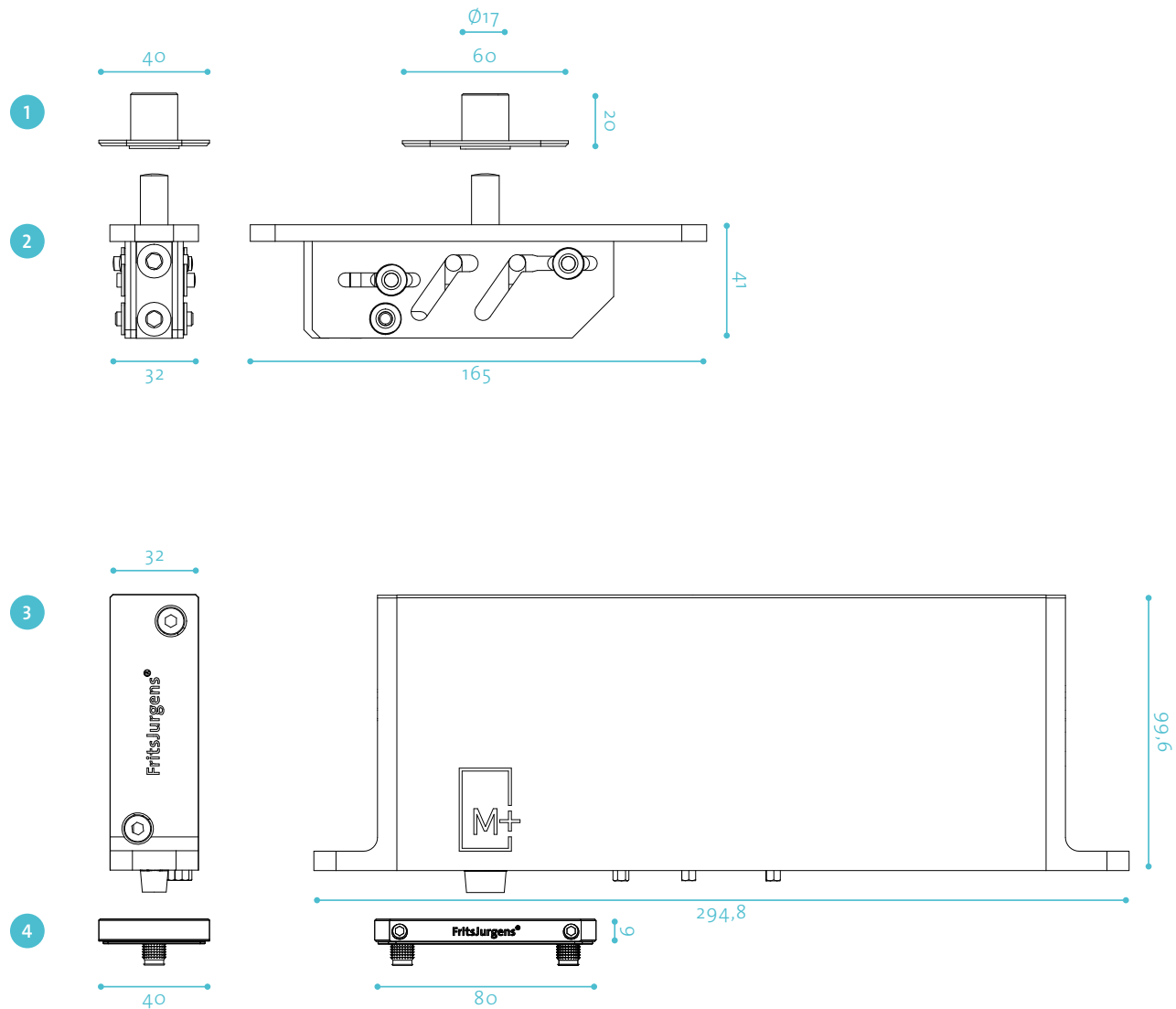
- 1 Damper Control** Ensures a smooth and elegant closing movement and protects your door from touching the wall (back-check).

# TECHNICAL DRAWING SYSTEM M32+

1. Ceiling plate (300352)  
60 x 40 x 17 mm
2. Top pivot (200201)  
165 x 32 x 41 mm
3. System M32+ (100532)  
294,8 x 32 x 99,6 mm
4. Square floor plate (400711)  
80 x 40 x 9 mm

Optional:

Round floor plate (400411)  
Ø80 x 9 mm



## Downloads

[System M32+ 2D drawing](#)

[System M32+ 3D drawing](#)

[System M32+ BIM model](#)

# TECHNICAL DRAWING SYSTEM M42+

1. Ceiling plate (300352)  
60 x 40 x 17 mm
2. Top pivot (200201)  
165 x 32 x 41 mm
3. System M42+ (100332)  
308,2 x 42 x 112,7 mm
4. Square floor plate (400711)  
80 x 40 x 9 mm

Optional:

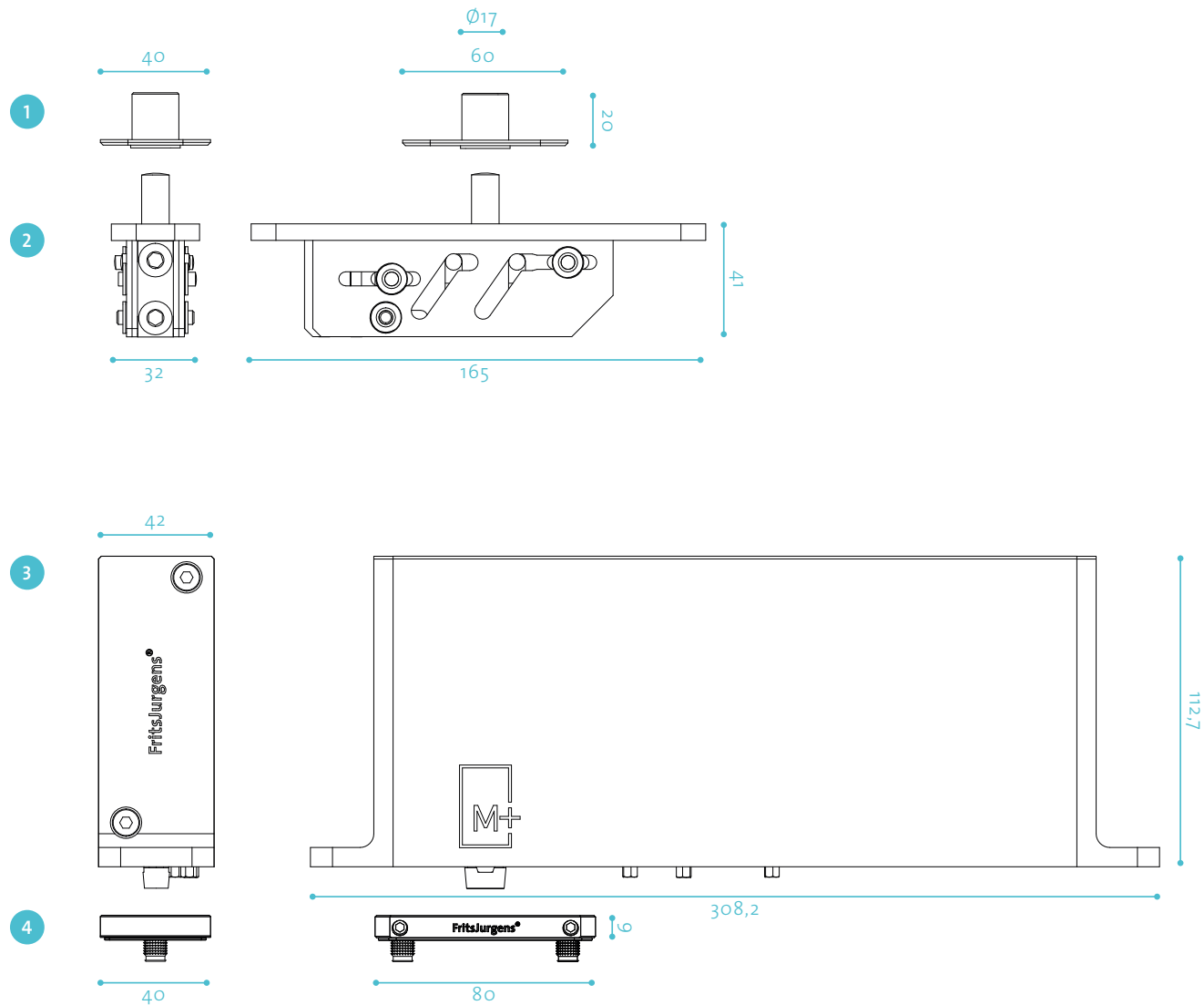
Round floor plate (400411)  
Ø80 x 9 mm

## Downloads

[System M42+ 2D drawing](#)

[System M42+ 3D drawing](#)

[System M42+ BIM model](#)



# TECHNICAL DRAWING SYSTEM M

1. Ceiling plate (300352)  
60 x 40 x 17 mm
2. Top pivot (200201)  
165 x 32 x 41 mm
3. System M32 (100332)  
294,8 x 32 x 99,6 mm
4. Square floor plate (400711)  
80 x 40 x 9 mm

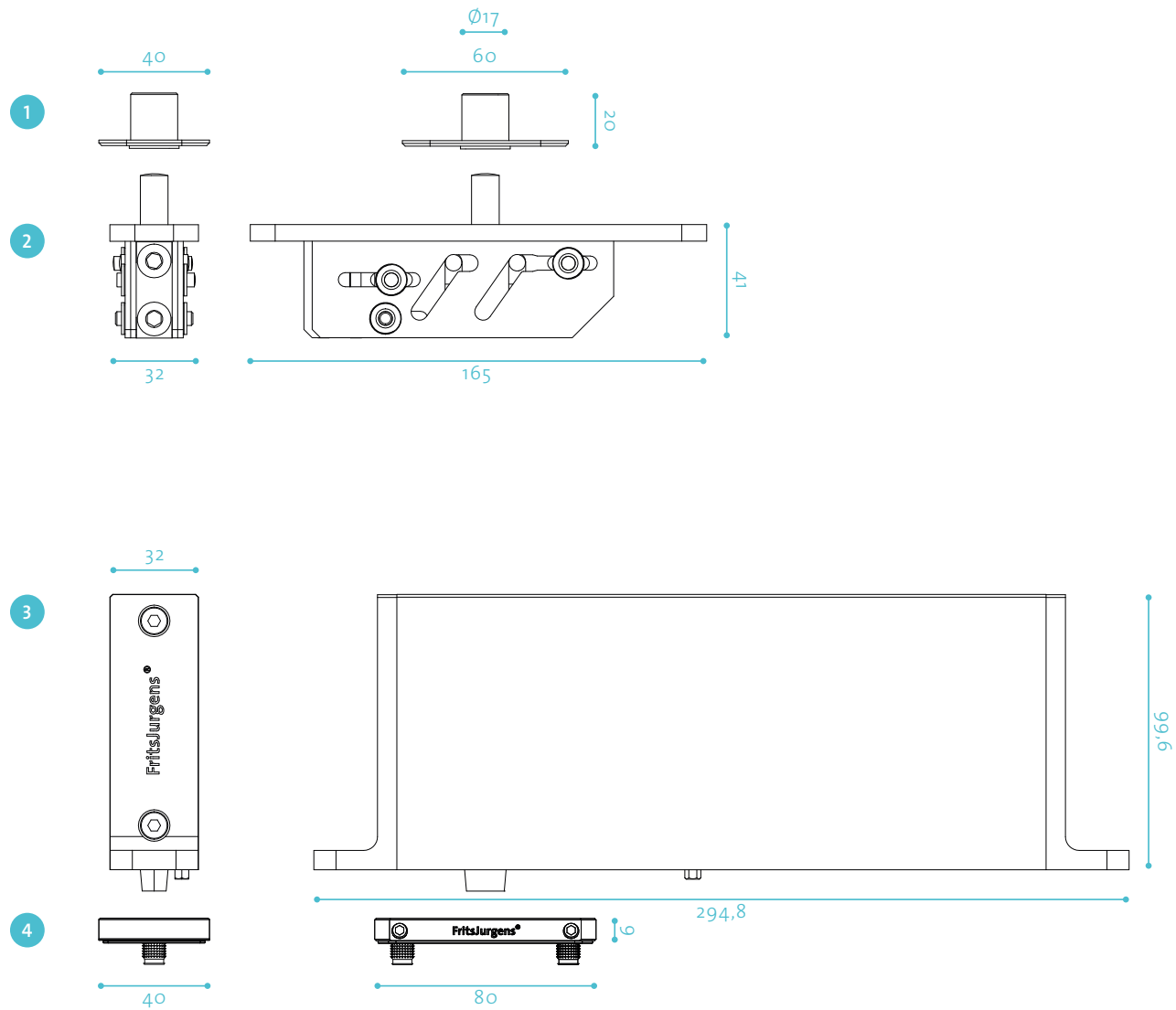
Optional:  
Round floor plate (400411)  
Ø80 x 9 mm

## Downloads

[System M 2D drawing](#)

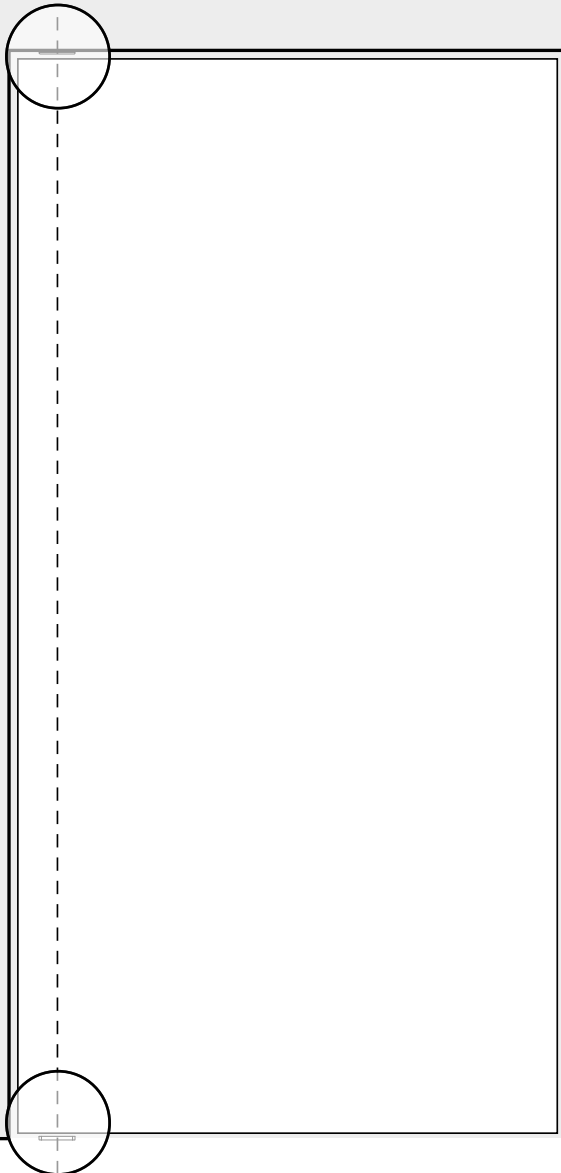
[System M 3D drawing](#)

[System M BIM model](#)





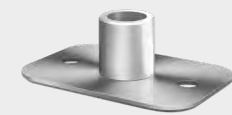
## DESIGN OPTIONS SYSTEM M+/M



**Square floor plate (400711)**  
Stainless steel (Series 420)  
80 x 40 x 9 mm  
[Download drawing 2D](#)  
[Download drawing 3D](#)



**Round floor plate (400411)**  
Stainless steel (Series 420)  
Ø80 x 9 mm  
[Download drawing 2D](#)  
[Download drawing 3D](#)



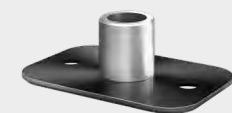
**Ceiling plate (300352)**  
Stainless steel (Series 420)  
60 x 40 x 17 mm  
[Download drawing 2D](#)  
[Download drawing 3D](#)



**Square floor plate (400712)**  
PVD black  
80 x 40 x 9 mm  
[Download drawing 2D](#)  
[Download drawing 3D](#)



**Round floor plate (400412)**  
PVD black  
Ø80 x 9 mm  
[Download drawing 2D](#)  
[Download drawing 3D](#)

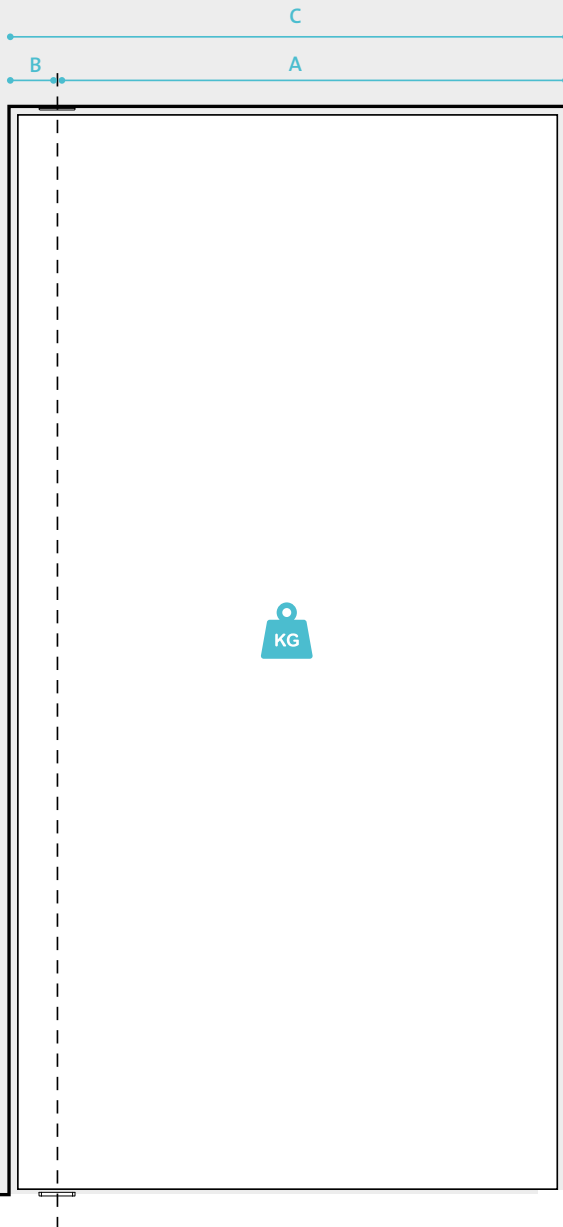


**Ceiling plate (300353)**  
PVD black  
60 x 40 x 17 mm  
[Download drawing 2D](#)  
[Download drawing 3D](#)

The floor plate is available in two finishes and shapes: brushed stainless steel (Series 420) and PVD black and can be obtained in a round and a rectangular version. The floor plates by FritsJurgens are made of solid tempered steel and therefore fully scratch resistant. The ceiling plate is available in brushed stainless steel and black as well and can be obtained in the rectangular version only.

## SYSTEM M+/M MODEL SELECTOR

[www.fritsjurgens.com/M](http://www.fritsjurgens.com/M)



To ensure the pivot hinge provides the appropriate movement for your door, System M+ is available in seven models and System M in four models suited to the weight and width of the door. There are no limits to the height of the door.

System M+ is suitable for pivot doors covering a range between 20 and 500 kg and is suitable for single- and double-acting doors. When combined with the door frames, the Latch Control ensures the door closes properly.

System M is suitable for pivot doors covering a range between 20 and 210 kg.

### EXAMPLE

Use the selection table on the next page.

Specifications door: Width 1600 mm, height 3200 mm, weight 165 kg. The distance between the pivot point of the hinge and the side of the door is 91 mm.

1. Determine the distance of pivot point to the latch side of the door:

$$C \text{ minus } B = A: 1509 \text{ mm}$$

2. Check the door width

$$C = 1600 \text{ mm}$$

3. Fill in the weight

$$KG = 165 \text{ kg}$$

The following system suits this door:

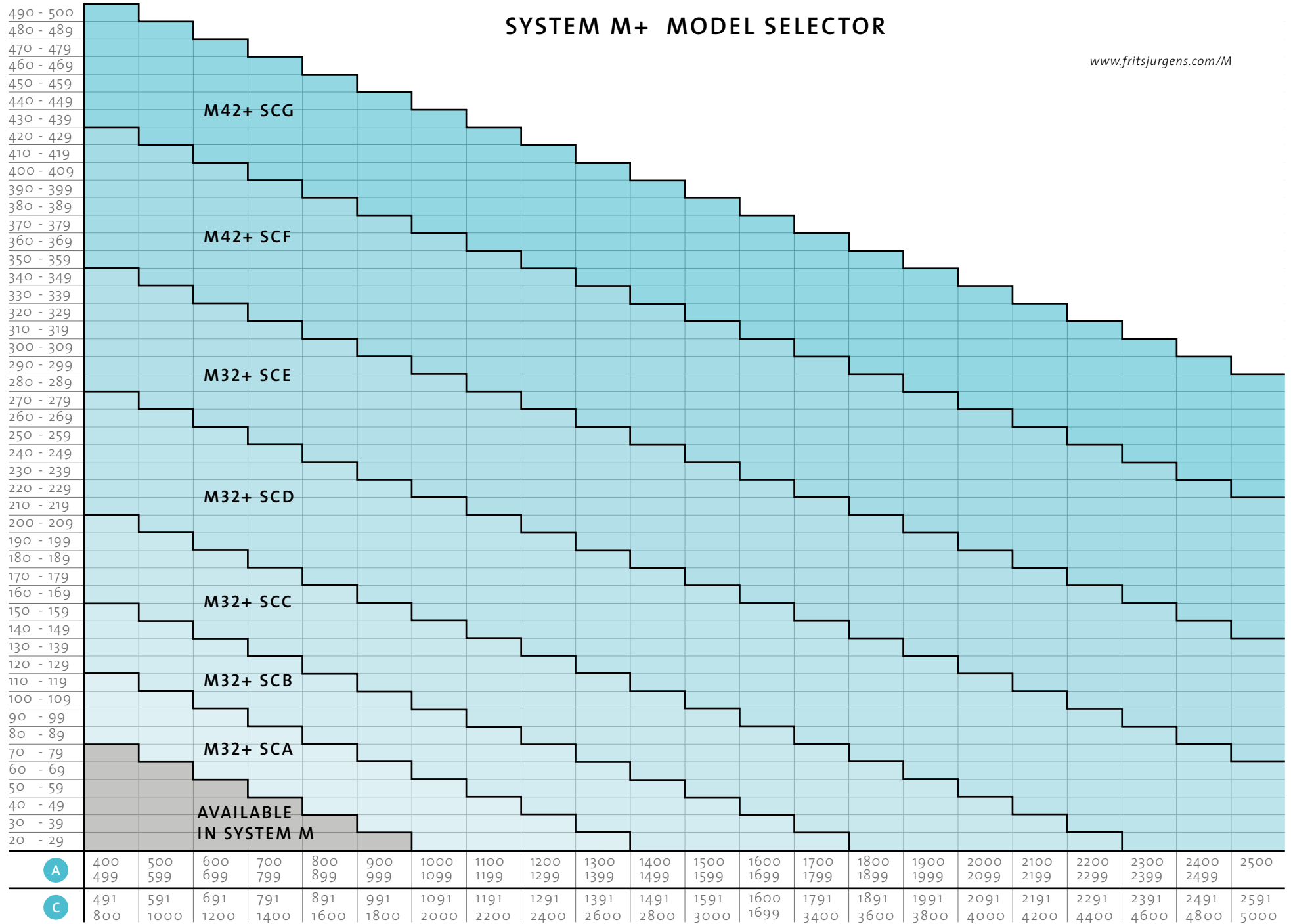
**M32(+)** SCD

Does your pivot door have other measurements than shown here? Please do not hesitate to contact us. FritsJurgens has an on-site testing facility which enables us to determine whether our systems are suitable for your specific situation.



# SYSTEM M+ MODEL SELECTOR

[www.fritsjurgens.com/M](http://www.fritsjurgens.com/M)





# SYSTEM M MODEL SELECTOR

[www.fritsjurgens.com/M](http://www.fritsjurgens.com/M)

