

# PIVOTICA PRO

## ARGENTA | Concealed Pivoting Hinges



PIVOTICA PRO Floor Mounted

### PIVOTICA PRO 100 & 150 for doors weighing 100kg and 150kg.

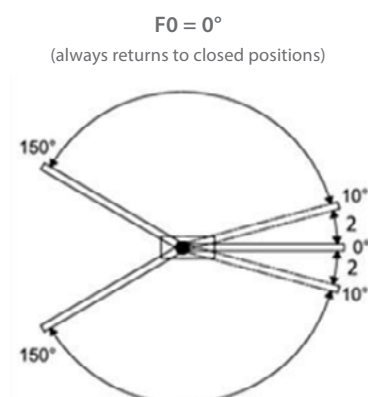
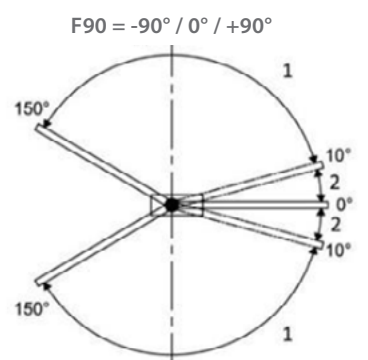
The Argenta® Pivotica pro allows interior doors to be **opened through 150° in both directions**. Thanks to an **active closure damper, the door always returns to its zero position**. This keeps the door perfectly flush with the wall, ensuring there are no interruptions to the sleek design of the wall. **An optional 90° holding position can also be fitted, allowing the door to remain open in both directions without the need for a doorstop.**

#### Ease of use

- Easy surface-mounted or built-in installation
- Opening angle in both directions up to 150°
- With/ without holding position at 90° in both directions
- Safe for underfloor heating applications
- Free choice of pivot positions (hinge point)
- Adjustable alignment (straight alignment)
- Adjustable bottom plate
- Active 2 speed damper
- Compact

Suitable for room high doors

#### HOLDING POSITION



# TECHNICAL DETAILS



Satin Stainless Steel Cover Plate

Black Cover Plate

White Cover Plate

## Floor Mounted

### PIVOTICA PRO 100

### PIVOTICA PRO 150

Door Weight:	<b>Max. 100kg</b>	<b>Max. 150kg</b>
Door Thickness:	<b>Min. 40mm - Max. 100mm</b>	<b>Min. 50mm - Max. 100mm</b>
Door Width:	<b>3000 mm</b>	<b>&lt;100kg = 2500mm &gt;100kg = 2000mm</b>
Door Height:	<b>3000 mm</b>	<b>3000 mm</b>
Width Adjustment:	<b>-3 / +3 mm</b>	<b>-3 / +3 mm</b>
Depth Adjustment:	<b>-3 / +3 mm</b>	<b>-3 / +3 mm</b>
Alignment:	<b>-4 / +4 mm °</b>	<b>-4 / +4 mm °</b>
Holding Position*:	<b>0 ° or -90 ° / 0 ° / 90 °</b>	<b>0 ° or -90 ° / 0 ° / 90 °</b>
Bottom Door Clearance:	<b>13mm</b>	<b>13mm</b>

\* F0 = 0 °  
F90 = Fixed / hold open at 90°



Satin Stainless Steel Cover Plate

## Built-In

### PIVOTICA PRO 100

### PIVOTICA PRO 150

Door Weight:	<b>Max. 100kg</b>	<b>Max. 150kg</b>
Door Thickness:	<b>Min. 40mm - Max. 100mm</b>	<b>Min. 50mm - Max. 100mm</b>
Door Width:	<b>2000 mm</b>	<b>&lt; 100kg = 2500mm &gt; 100kg = 2000mm</b>
Door Height:	<b>3000 mm</b>	<b>3000 mm</b>
Width Adjustment:	<b>-3 / +3 mm</b>	<b>-3 / +3 mm</b>
Depth Adjustment:	<b>-3 / +3 mm</b>	<b>-3 / +3 mm</b>
Height Adjustment:	<b>+6 mm</b>	<b>+6 mm</b>
Alignment:	<b>-4 / +4 mm °</b>	<b>-4 / +4 mm °</b>
Holding Position*:	<b>0 ° or -90 ° / 0 ° / 90 °</b>	<b>0 ° or -90 ° / 0 ° / 90 °</b>
Bottom Door Clearance:	<b>Min.5 - Max. 11mm</b>	<b>Min.5 - Max. 11mm</b>

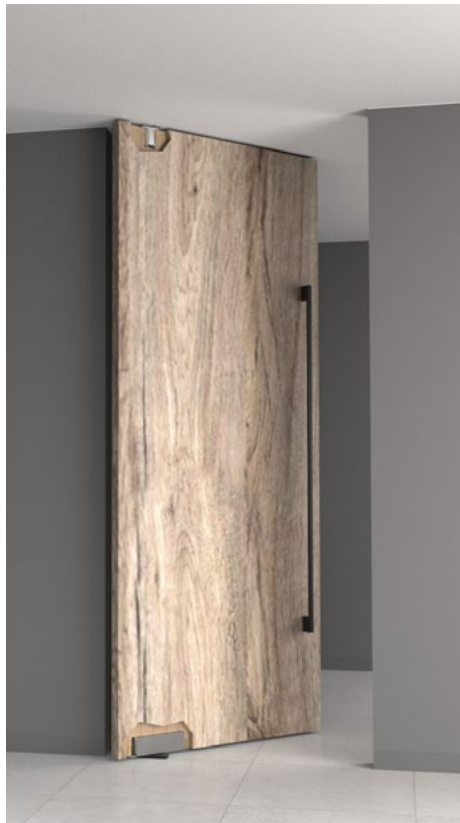
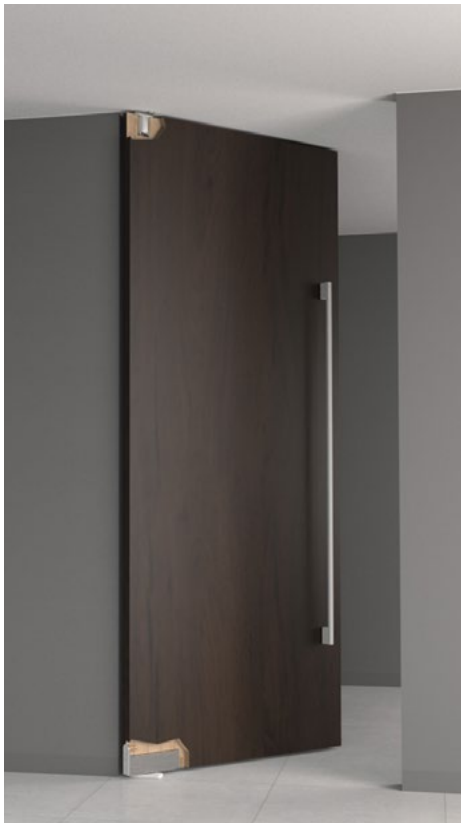
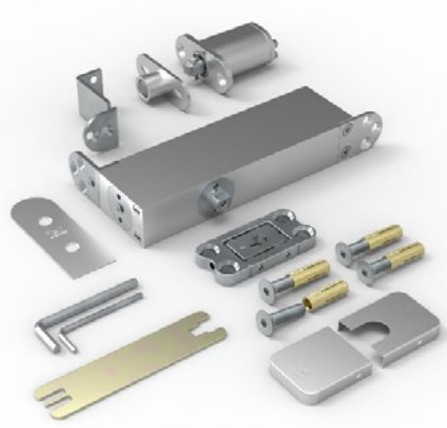
\* F0 = 0 °  
F90 = Fixed / hold open at 90°

Check pg.4 & 5 for more technical details

# POSITION/ ADJUSTMENT

6 way adjutment on foot plate with allen key  
The minimum pivot point is 58.5mm but by changing the bracket allows you to increase the pivot.

- **Hydraulics system for pivot movement**
- **2 adjustment**



**Corner Position**

**De-Central Position**

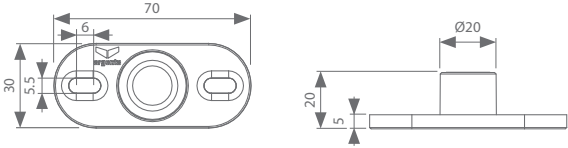
**Central Position**

\* Images: floor-mounted

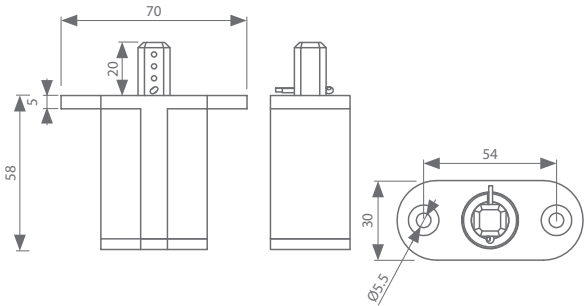
argenta piotica pro

Technical drawings pivotica pro 100

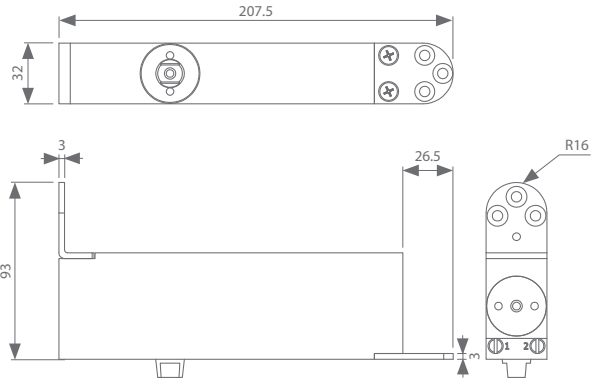
Top parts of door opening / Door Jamb



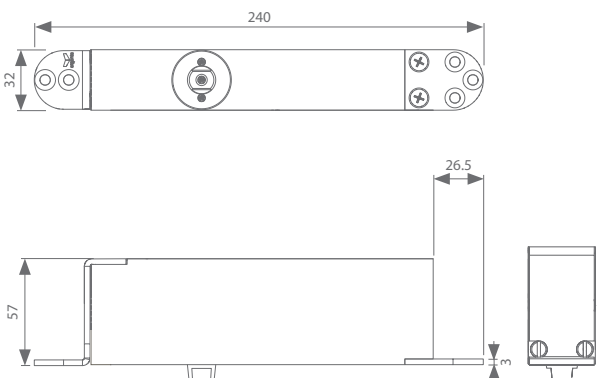
Top part of door



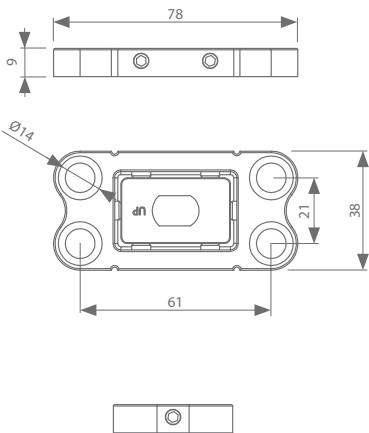
Bottom part door - corner position



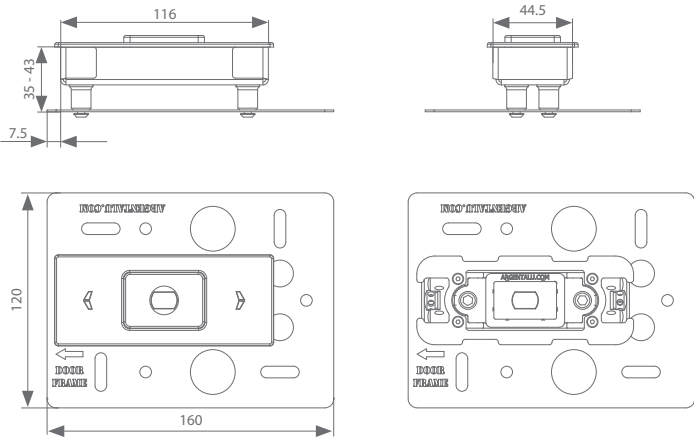
Bottom part door - centre or off-centre position



Floor Plate - Floor-Mounted (FM)

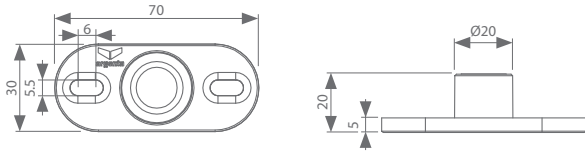


Floor Plate - Built In (BI)

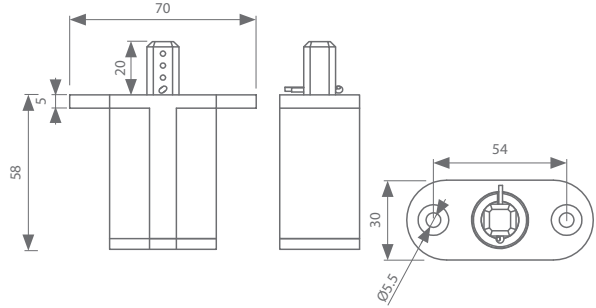


Technical drawings pivotica pro 150

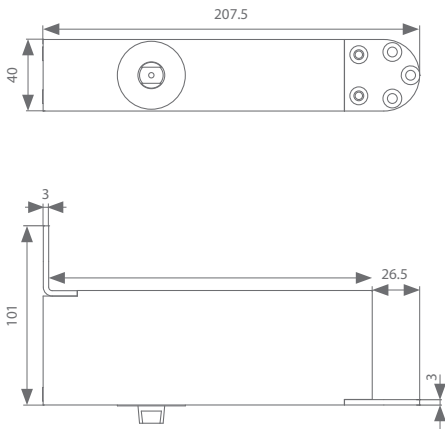
Top part of door opening / Door Jamb



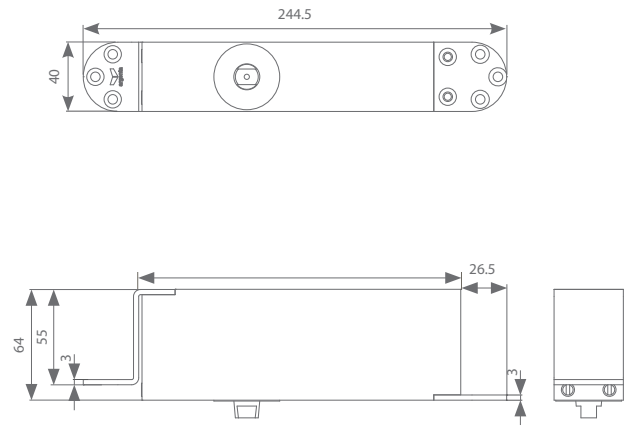
Top part of door



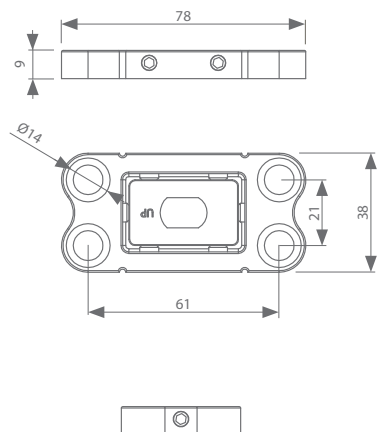
Bottom part of door - corner position



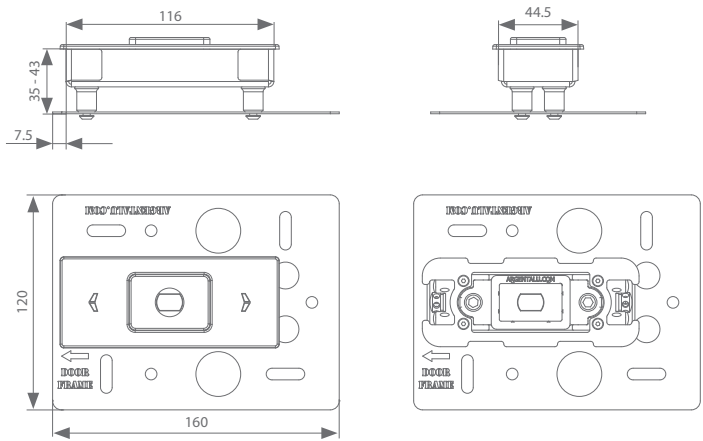
Bottom part of door - centre or off-centre position



Floor Plate - Floor-Mounted (FM)



Floor Plate - Built In (BI)

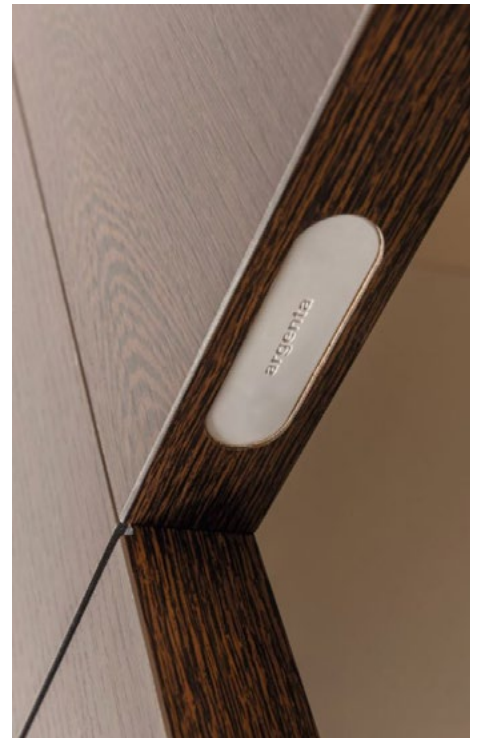


## MAGNOTICA PRO

The magnotica pro is a **magnetic and contactless door closer** which holds interior doors shut without the need for a door handle or latch. Because there are no moving parts, the door can be **opened and closed completely without making any noise.**

### BENEFITS

- No moving parts to wear out
- Silent mechanism due to no friction
- Door can be opened/closed noiselessly without a door handle or latch
- Doors are quick and easy to open/close
- Ideal for doors to walk-in closets or storerooms
- Perfect for keeping pivoting doors in their closed position
- Thanks to the extra cover plate the screws are concealed
- Installed on any normal wooden door



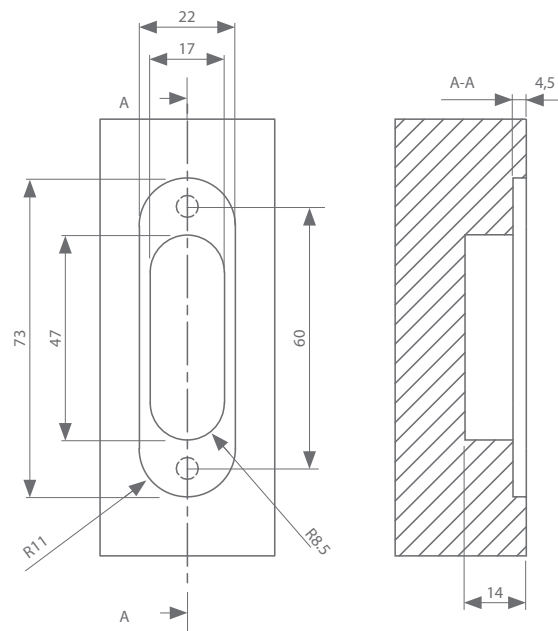
Black



Grey



White



**Clearance**  
(Distance door & frame)

**Magnetic Power**

2 mm	Minimum 40 N
3 mm	Minimum 35 N
4 mm	Minimum 30 N