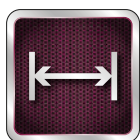


Product Overview

✓ No need for cutting out floors

Specification Overview



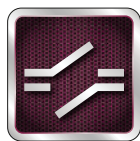
Max Door Width
1000mm



Max Door Weight
100kg



Opening Angle
150°



Universal Application



Power Size
EN3



Guarantee



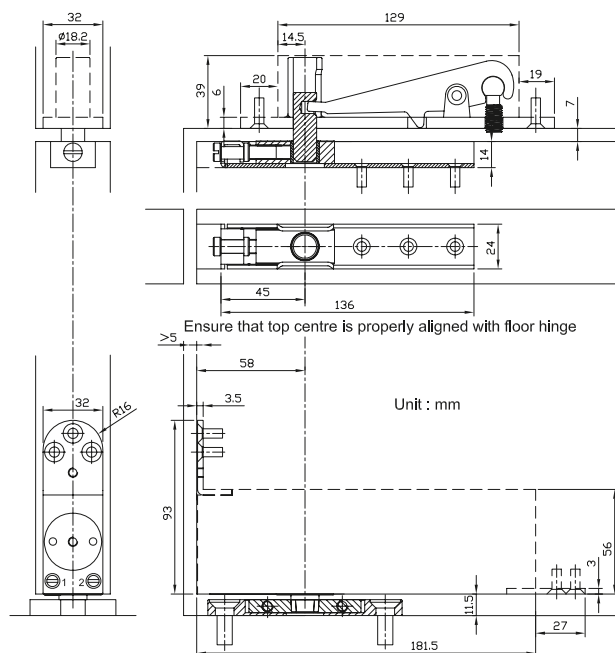
Min Door Thickness
40mm



Hold Open Angle
90°



Adjustable Closing Speed



All dimensions shown are in mm.

Description	EN Size	Finish	Product Code
Hold Open Concealed Floor Spring Pivot c/w SS Cover and Top Pivot	3	Stainless Steel	ITS.H3.HO.SS
Non-Hold Open Concealed Floor Spring Pivot c/w SS Cover and Top Pivot	3	Stainless Steel	ITS.H3.NHO.SS