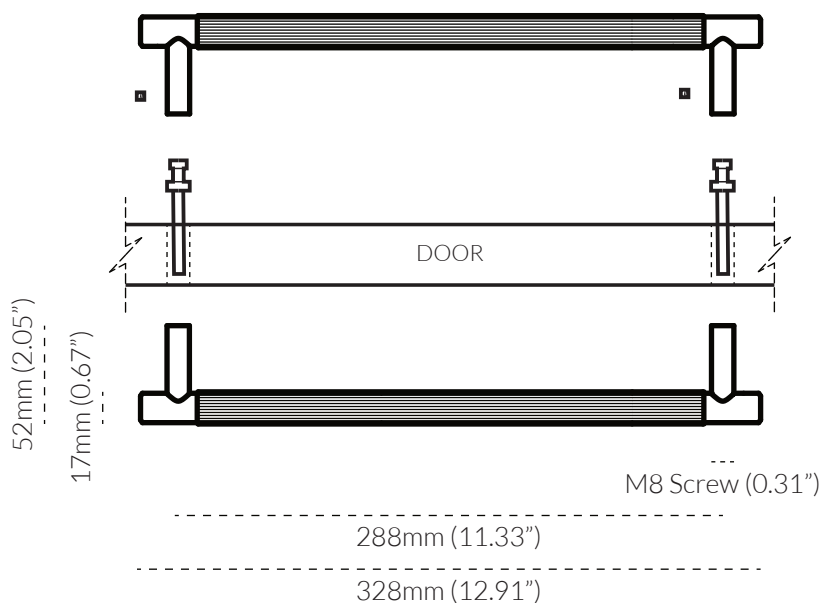


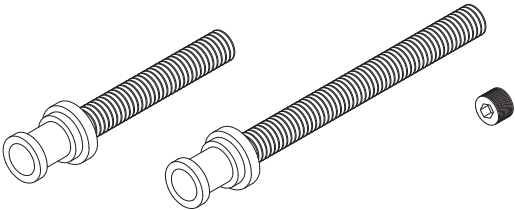


LINEAR ENTRY PULL 328MM (12.91")

TECH SPEC

SPECIFICATIONS



FINISH	SKU	FIXINGS ALSO INCLUDED
<ul style="list-style-type: none"> • Natural Brass • Aged Brass • Bronze • Brushed Nickel • Black • White 	<ul style="list-style-type: none"> • 4075BB-328-US4 • 4075BB-328-AB • 4075BB-328-BR • 4075BB-328-BN • 4075BB-328-US19 • 4075BB-328-W 	<ul style="list-style-type: none"> • 2x M8 * 40mm Shoulder Screw • 2x M8 * 70mm Shoulder Screw • 2x M4 Grub Screw 

CARE INSTRUCTIONS

Wipe with damp cloth and avoid using any chemicals.