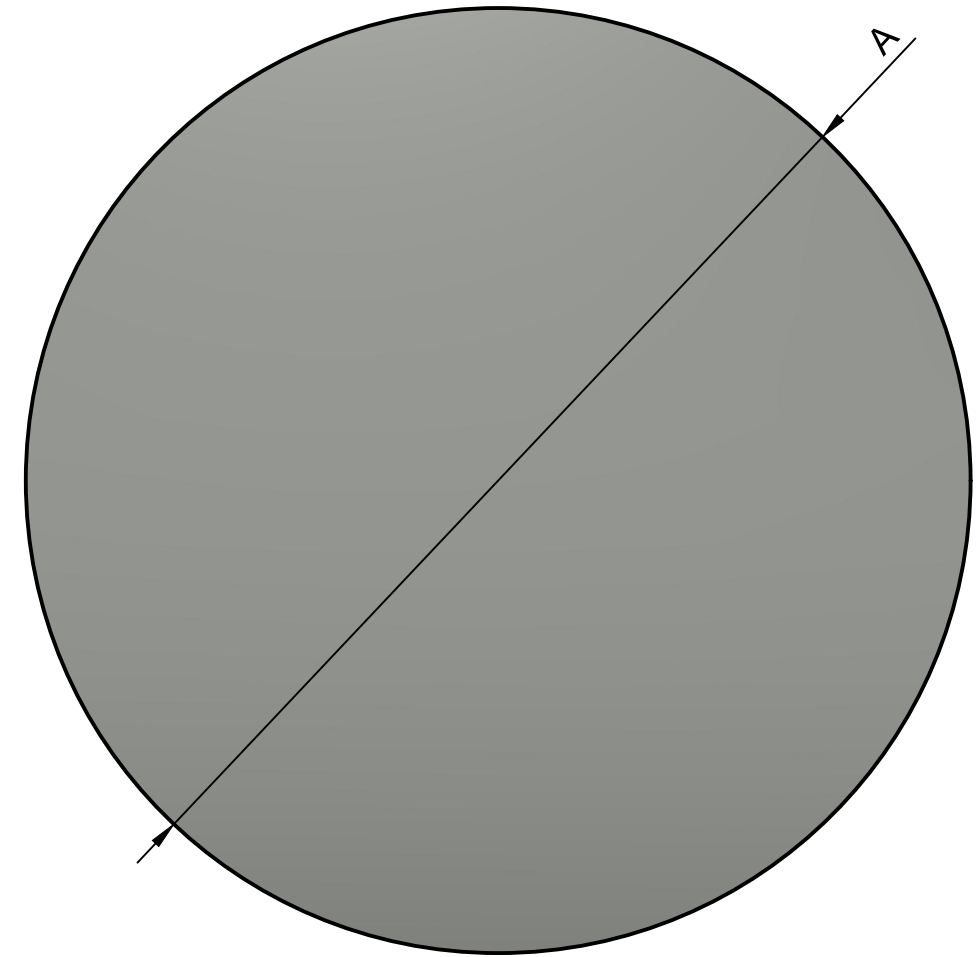
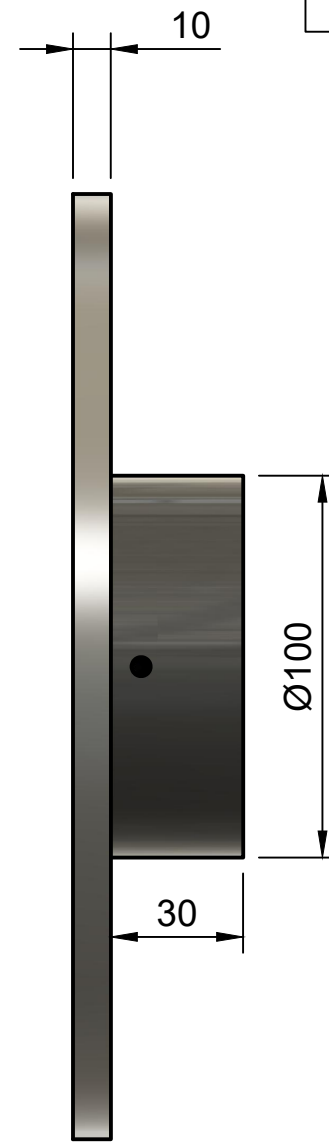
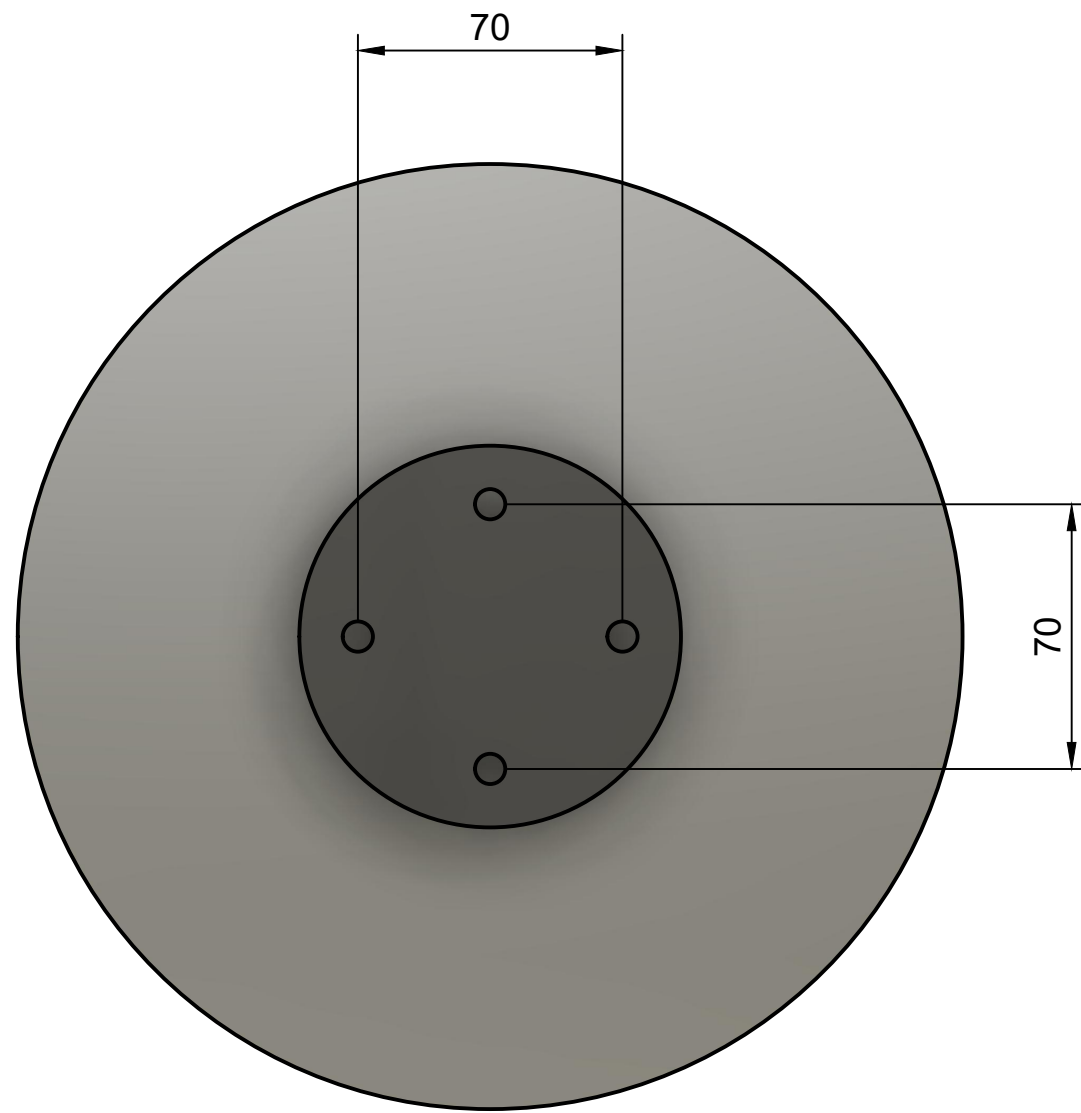
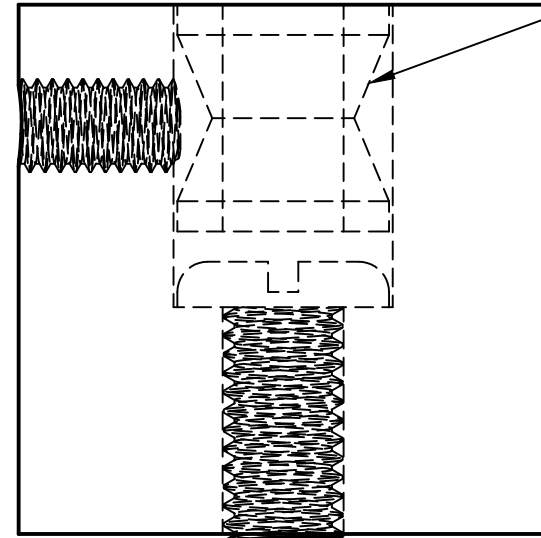
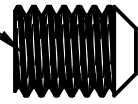


| DIMENSIONS | | | | |
|-----------------|---------------|-------------------|------------|-----------------------|
| HANDLE DIAMETER | STAND DIAMTER | NO. FIXING POINTS | FIXING CTC | THRU FIXING HOLE SIZE |
| 100 | 42 | 1 | N/A | 8 |
| 200 | 100 | 2 | 70 | 8 |
| 250 | 100 | 2 | 70 | 8 |
| 300 | 100 | 2 | 70 | 8 |
| 400 | 150 | 2 | 120 | 8 |
| 500 | 250 | 2 | 220 | 8 |
| 600 | 250 | 2 | 220 | 8 |



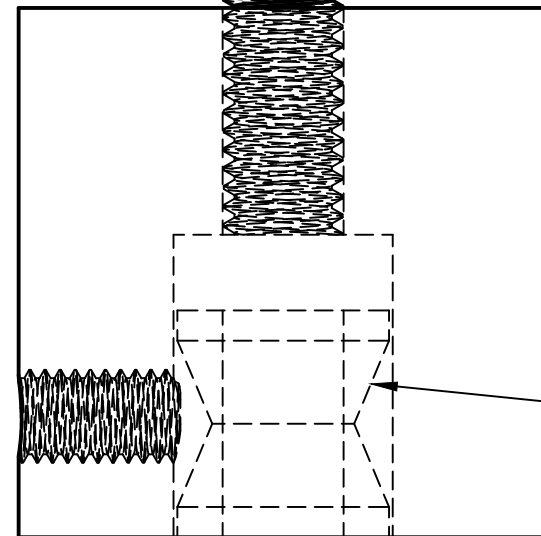
Grub Screw



Brass Ferrule

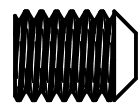
Handle Stand

M8 Bolt



Threaded
Handle Stand

Brass Ferrule



Installation Instructions

IMPORTANT! Mark and drill door from both sides.

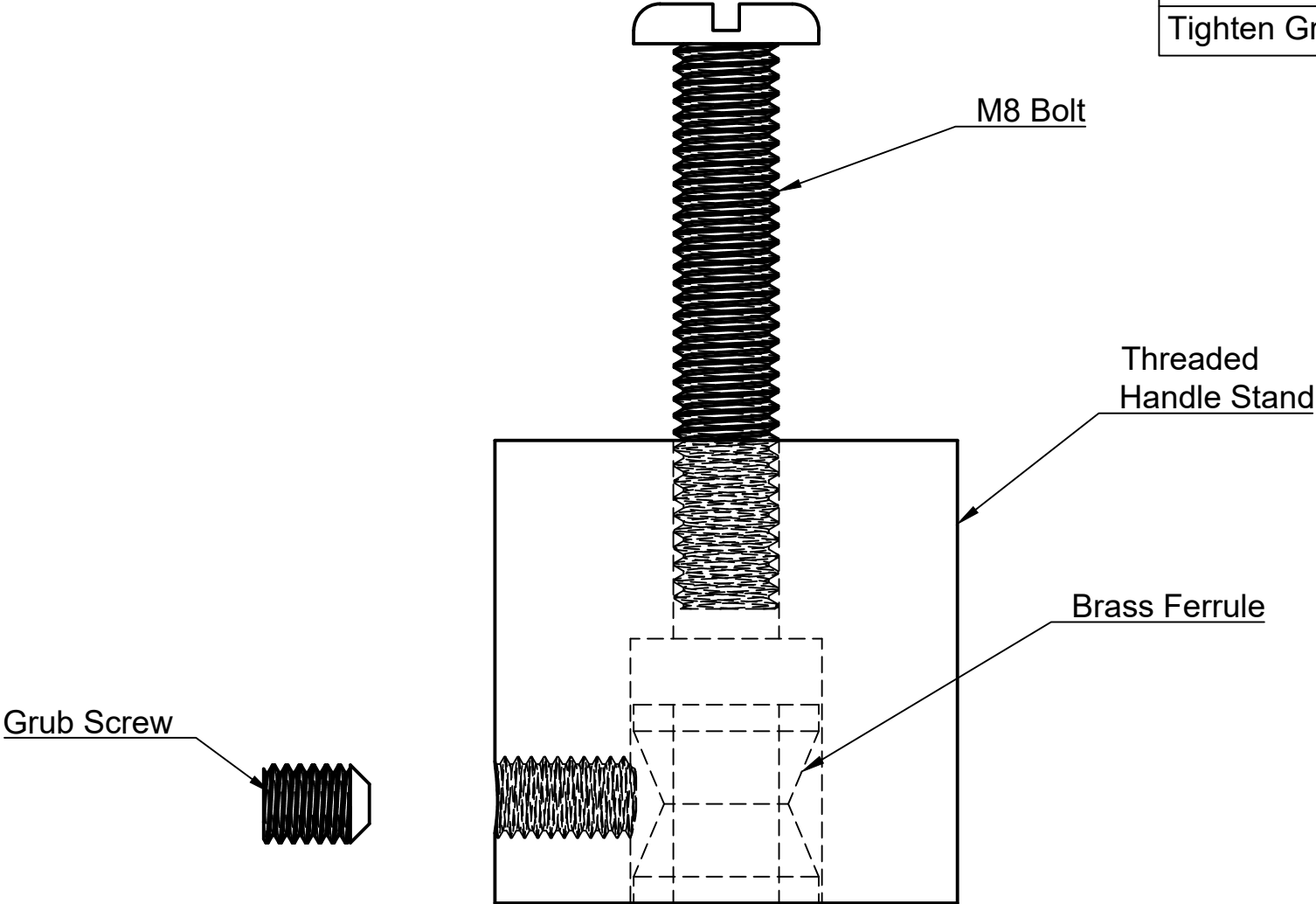
Cut bolt to required length. Allow 30mm longer than door thickness.

Screw stands together through door.

Place handle on stand, inserting Ferrules into stand.

Tighten Grub Screws

| Installation Instructions |
|---|
| IMPORTANT! Mark and drill door from both sides. |
| Cut bolt to required length. Allow 15mm longer than door thickness. |
| Screw stands from behind to door. |
| Place handle on stand, inserting Ferrules into stand. |
| Tighten Grub Screws |



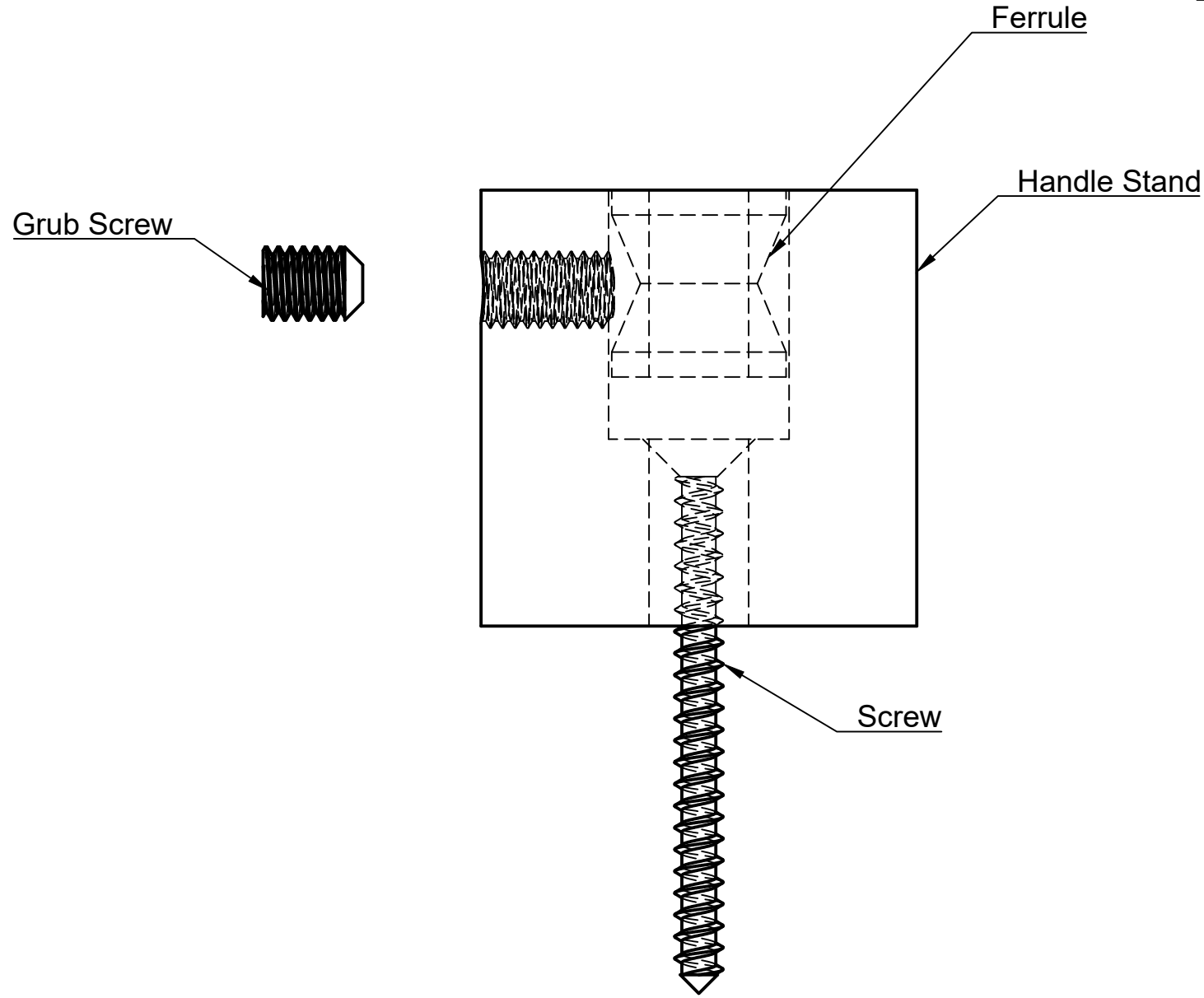
| |
|---|
| Drawing Entrance Handle Rear Fixing |
| Date 2/02/2023 |
| Scale 2:1 |

Installation Instructions

Screw stand to door.

Place handle on stand, inserting Ferrules into stand.

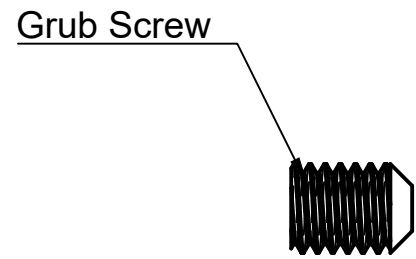
Tighten Grub Screws



Drawing
Entrance Handle Surface Fixing

Date
2/02/2023

Scale
2:1



Brass Ferrule

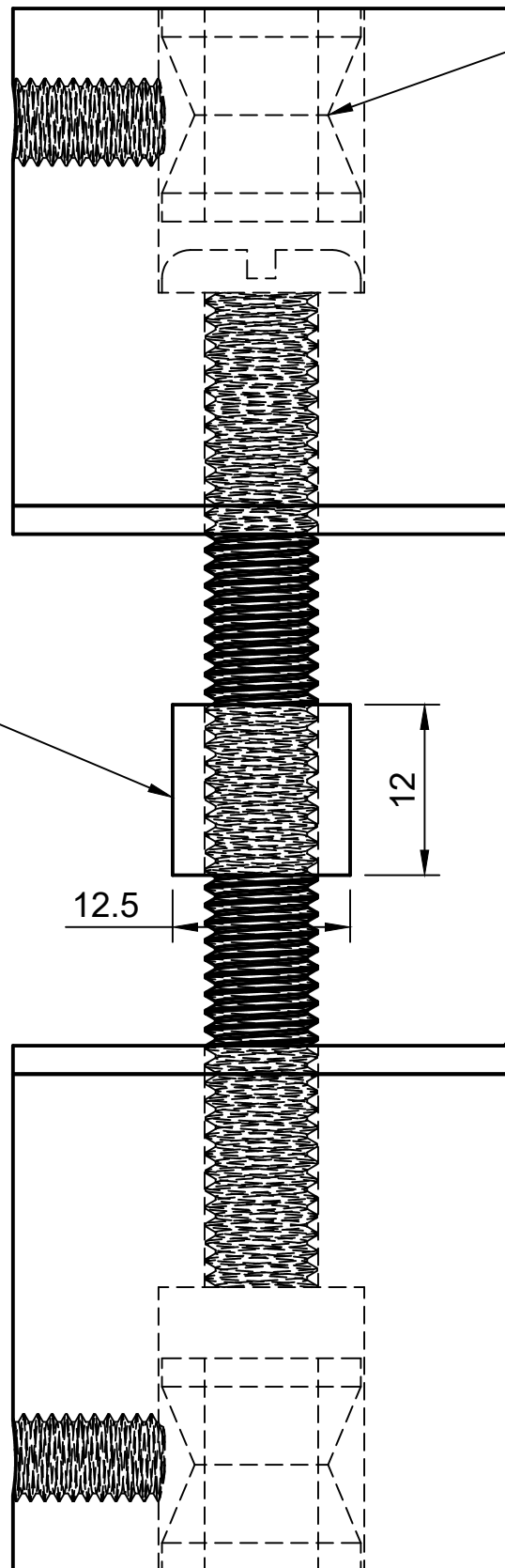
Handle Stand

Plastic/Rubber Washer
(only for glass fixing)

Plastic/Rubber Washer
(only for glass fixing)

Plastic/Rubber Washer
(only for glass fixing)

Threaded Handle Stand



Glass Fixing Installation Instructions

- Drill 13mm holes for bolt and plastic/rubber washer
- Check dimensions carefully prior to drilling holes, each handle in our range is different.
- Cut bolt to required length. Allow 30mm longer than the door thickness.
- Screws stands together through door, including the plastic/rubber washers as shown in the drawing.
- Place handle on stand, inserting the Ferrules into the stand.
- Tighten Grub Screws.
- Glass Fixing Kits with Rubber/Plastic parts are sold seperately
- Rear Fixing Studs are available when only one side requires a handle.



Drawing
Entrance Handle Glass Fixing B2B
Date
30/08/2024
Scale
2:1