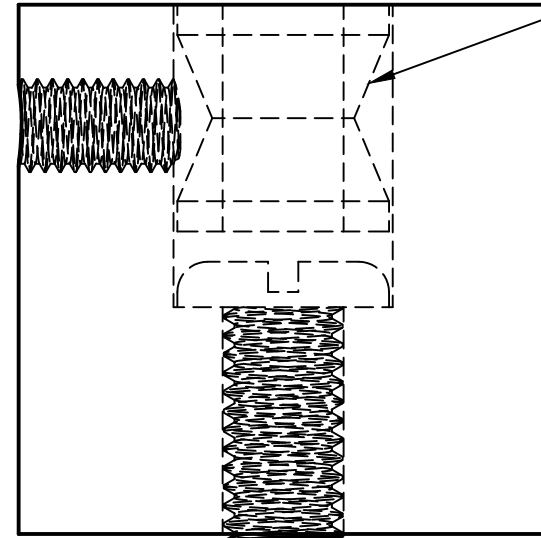
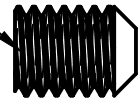


M05 Dimesions			
Code	Width	CTC	THRU FIXING HOLE SIZE
M05.25.200	25	200	8
M05.25.300	25	300	8
M05.25.400	25	400	8
M05.25.600	25	600	8
M05.40.200	40	200	8
M05.40.300	40	300	8
M05.40.400	40	400	8
M05.40.600	40	600	8

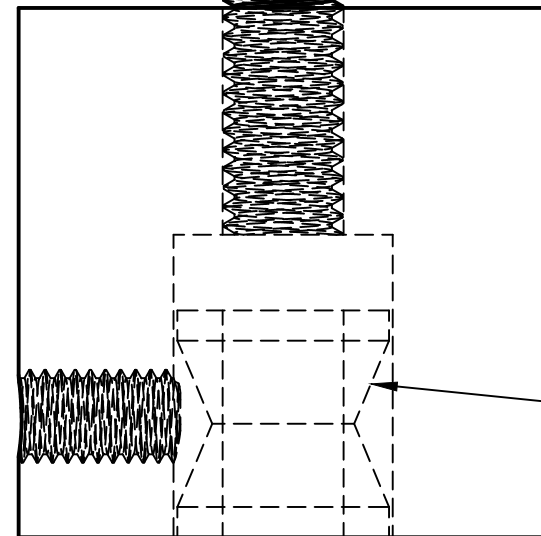
Grub Screw



Brass Ferrule

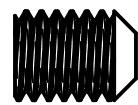
Handle Stand

M8 Bolt



Threaded
Handle Stand

Brass Ferrule



Installation Instructions

IMPORTANT! Mark and drill door from both sides.

Cut bolt to required length. Allow 30mm longer than door thickness.

Screw stands together through door.

Place handle on stand, inserting Ferrules into stand.

Tighten Grub Screws

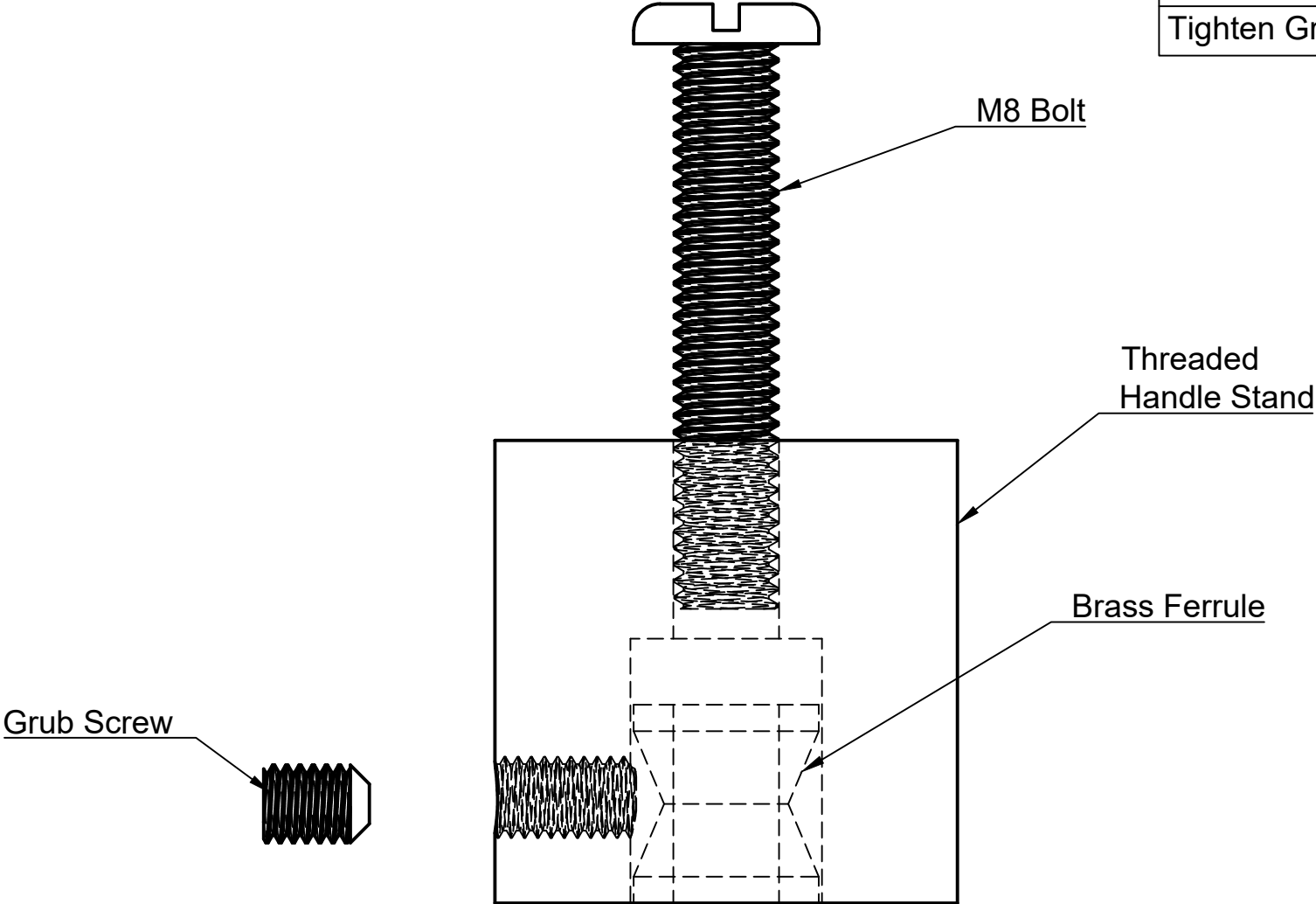


Drawing
Entrance Handle Fixing B2B

Date
2/02/2023

Scale
2:1

Installation Instructions
IMPORTANT! Mark and drill door from both sides.
Cut bolt to required length. Allow 15mm longer than door thickness.
Screw stands from behind to door.
Place handle on stand, inserting Ferrules into stand.
Tighten Grub Screws



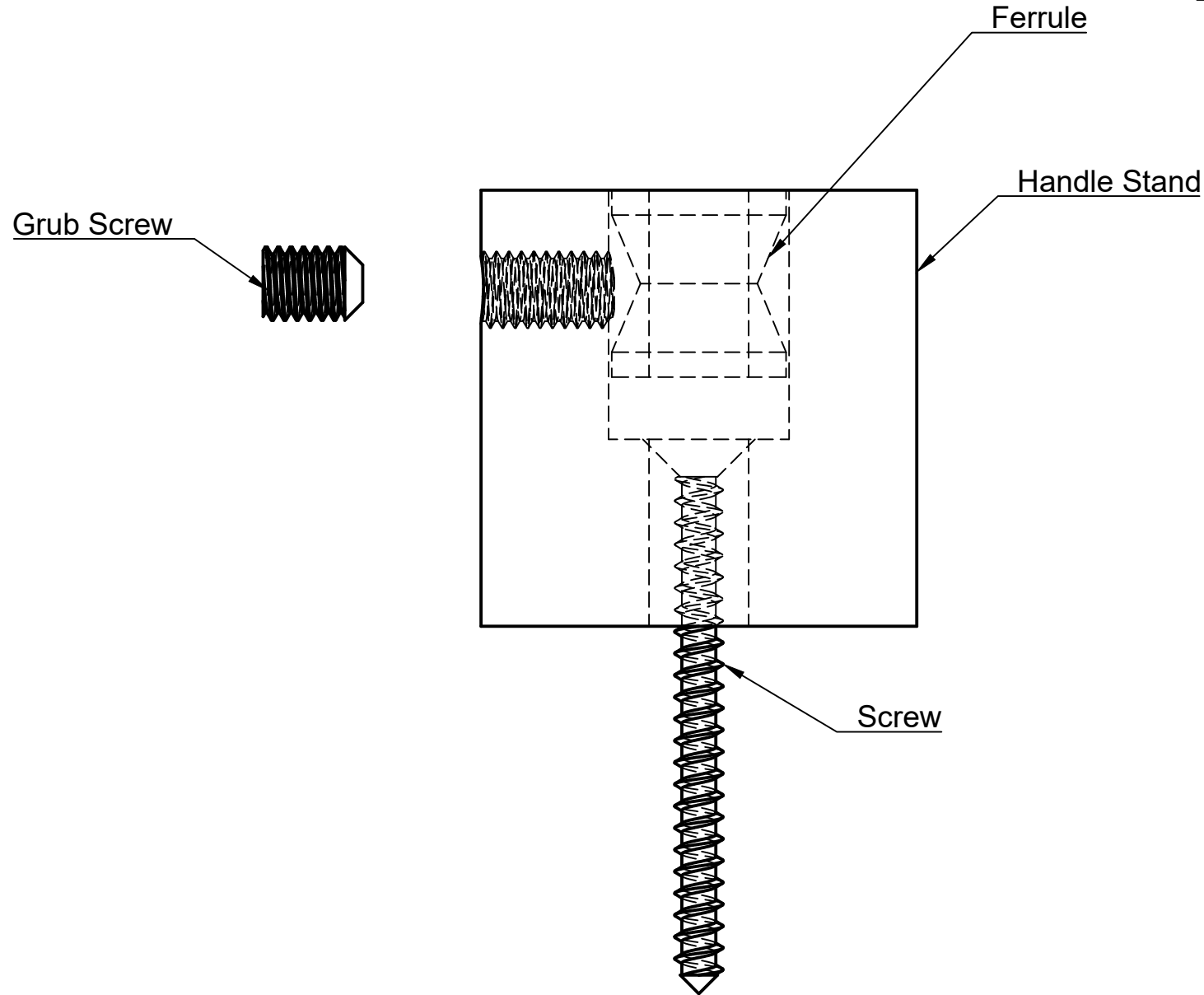
Drawing	Entrance Handle Rear Fixing
Date	2/02/2023
Scale	2:1

Installation Instructions

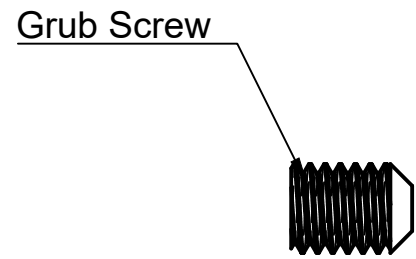
Screw stand to door.

Place handle on stand, inserting Ferrules into stand.

Tighten Grub Screws



Drawing
Entrance Handle Surface Fixing
Date
2/02/2023
Scale
2:1



Brass Ferrule

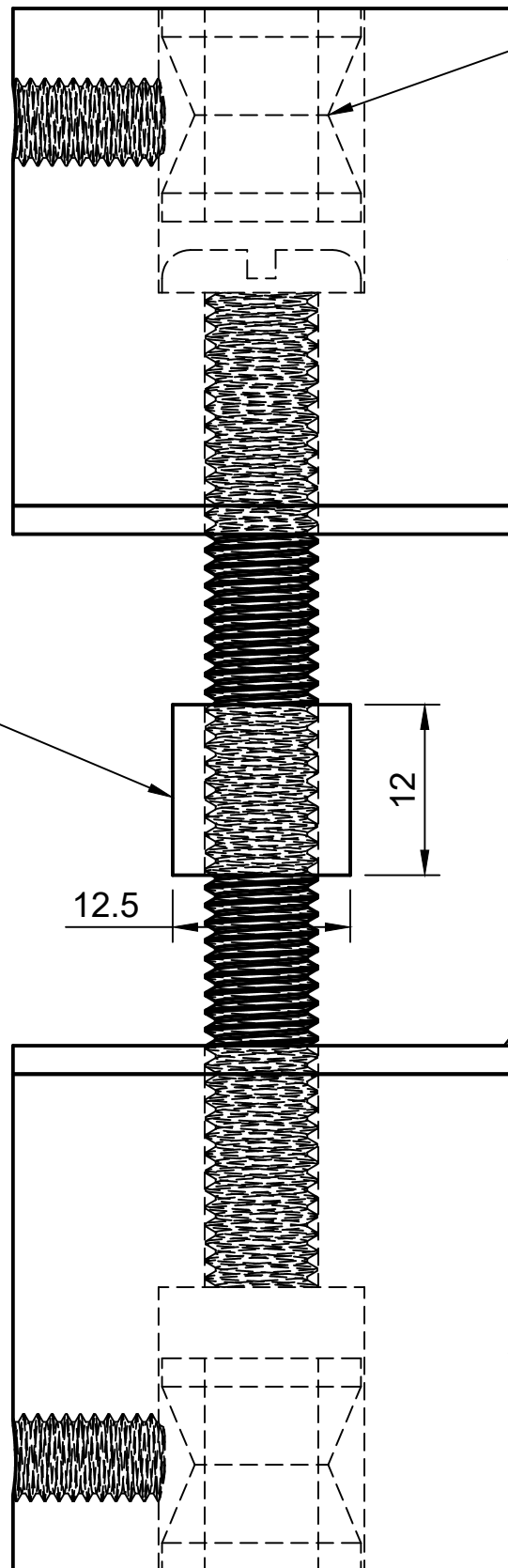
Handle Stand

Plastic/Rubber Washer
(only for glass fixing)

Plastic/Rubber Washer
(only for glass fixing)

Plastic/Rubber Washer
(only for glass fixing)

Threaded Handle Stand



Glass Fixing Installation Instructions

- Drill 13mm holes for bolt and plastic/rubber washer
- Check dimensions carefully prior to drilling holes, each handle in our range is different.
- Cut bolt to required length. Allow 30mm longer than the door thickness.
- Screws stands together through door, including the plastic/rubber washers as shown in the drawing.
- Place handle on stand, inserting the Ferrules into the stand.
- Tighten Grub Screws.
- Glass Fixing Kits with Rubber/Plastic parts are sold seperately
- Rear Fixing Studs are available when only one side requires a handle.



Drawing
Entrance Handle Glass Fixing B2B
Date
30/08/2024
Scale
2:1