
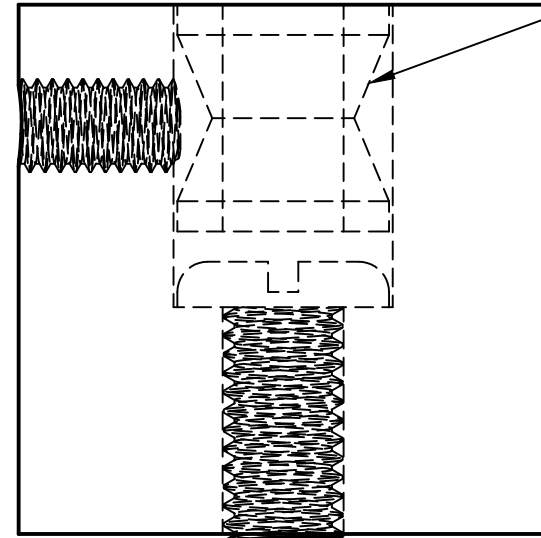
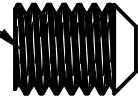


DIMENSIONS	
A	FIXING CTC
300	270
400	370
500	470
600	570
700	670
800	770
900	870

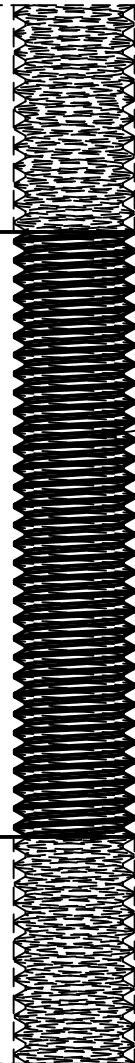
	Drawing <b>M10 PULL HANDLE</b>
	Date <b>30/08/2022</b>
	Scale <b>1:2</b>

Grub Screw

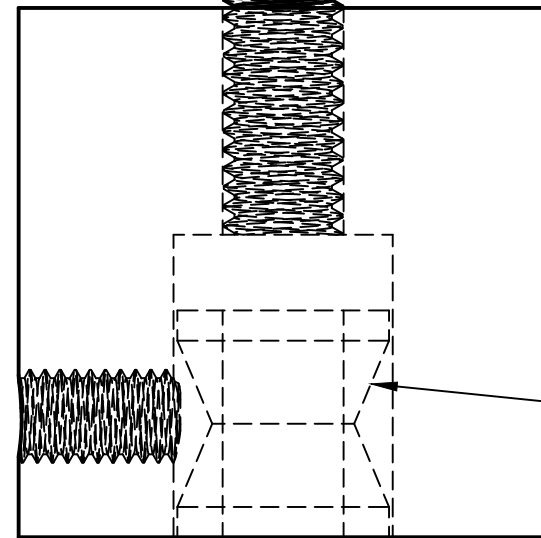


Brass Ferrule

Handle Stand

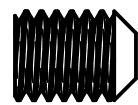


M8 Bolt



Threaded Handle Stand

Brass Ferrule



### Installation Instructions

IMPORTANT! Mark and drill door from both sides.

Cut bolt to required length. Allow 30mm longer than door thickness.

Screw stands together through door.

Place handle on stand, inserting Ferrules into stand.

Tighten Grub Screws

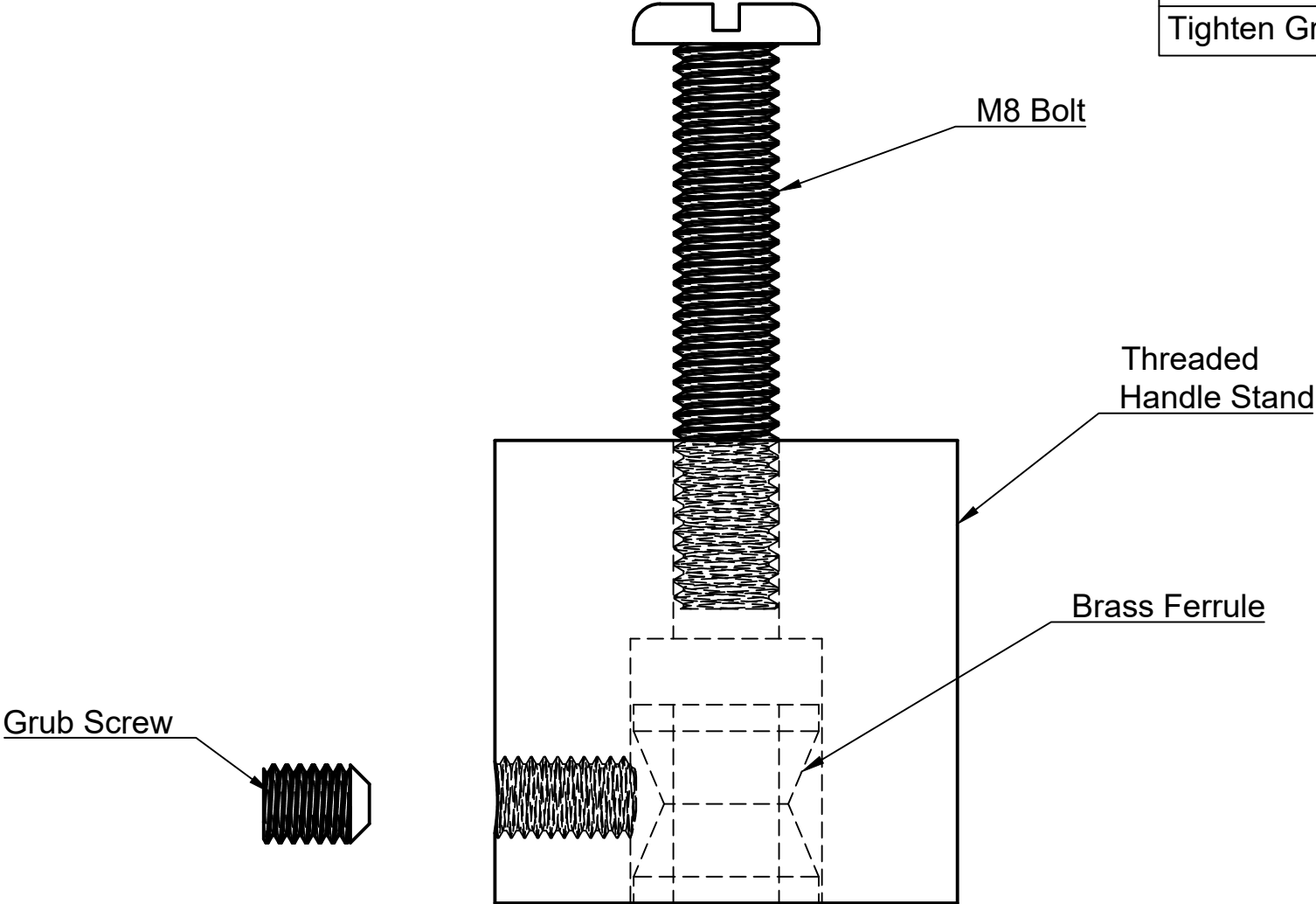


Drawing  
Entrance Handle Fixing B2B

Date  
2/02/2023

Scale  
2:1

<b>Installation Instructions</b>
IMPORTANT! Mark and drill door from both sides.
Cut bolt to required length. Allow 15mm longer than door thickness.
Screw stands from behind to door.
Place handle on stand, inserting Ferrules into stand.
Tighten Grub Screws



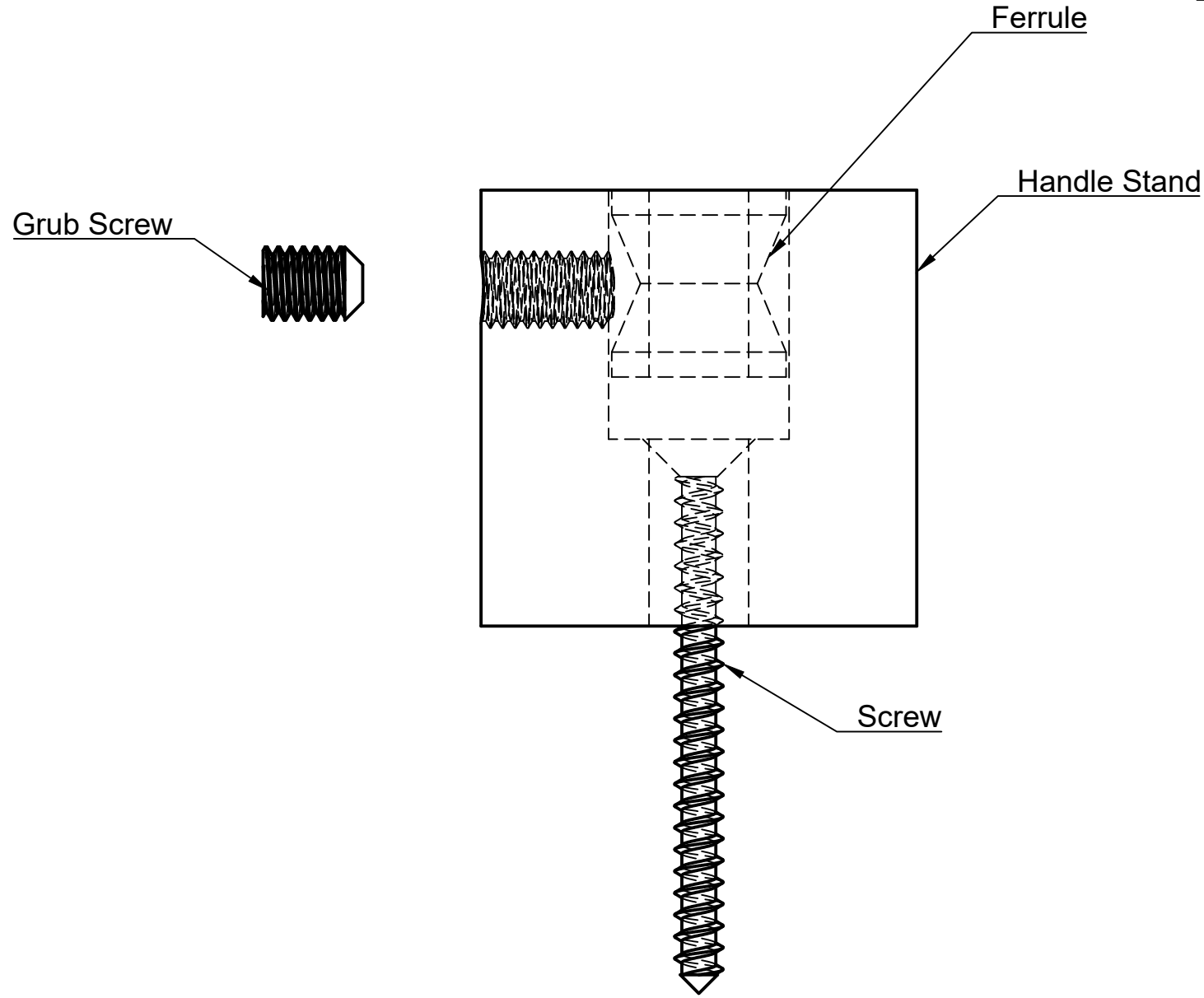
Drawing <b>Entrance Handle Rear Fixing</b>
Date <b>2/02/2023</b>
Scale <b>2:1</b>

**Installation Instructions**

Screw stand to door.

Place handle on stand, inserting Ferrules into stand.

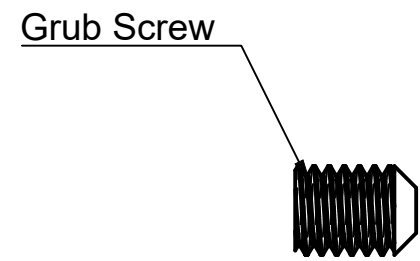
Tighten Grub Screws



Drawing  
Entrance Handle Surface Fixing

Date  
2/02/2023

Scale  
2:1



Brass Ferrule

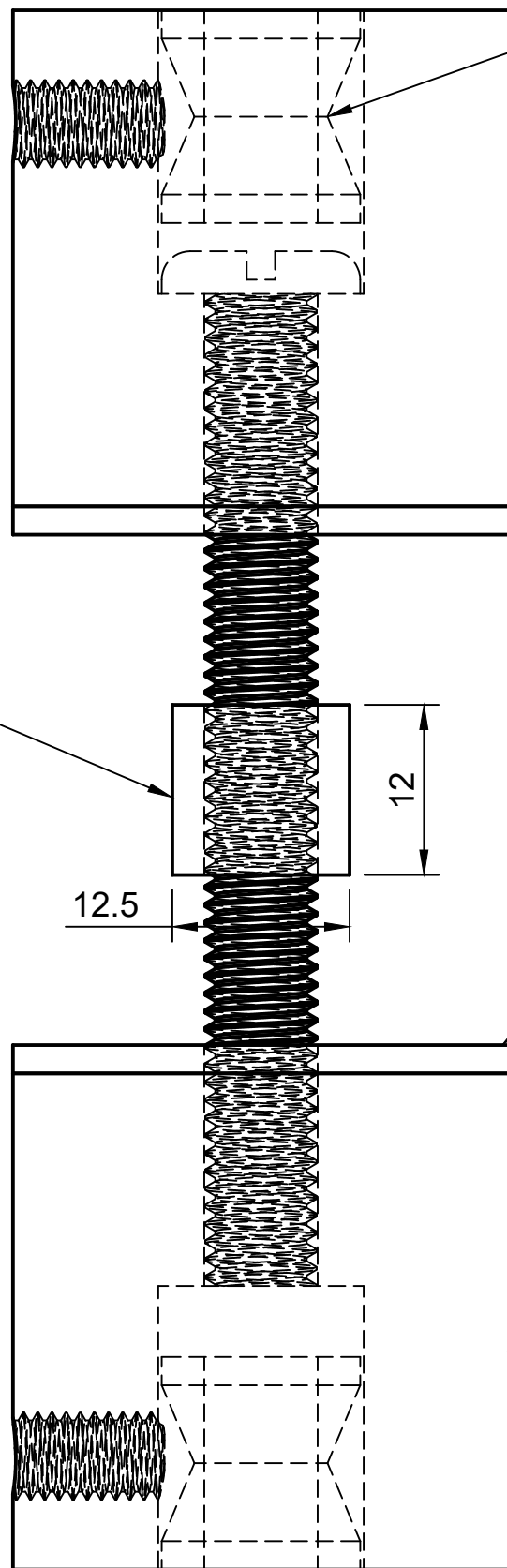
Handle Stand

Plastic/Rubber Washer  
(only for glass fixing)

Plastic/Rubber Washer  
(only for glass fixing)

Plastic/Rubber Washer  
(only for glass fixing)

Threaded Handle Stand



<b>Glass Fixing Installation Instructions</b>	
Drill 13mm holes for bolt and plastic/rubber washer	
Check dimensions carefully prior to drilling holes, each handle in our range is different.	
Cut bolt to required length. Allow 30mm longer than the door thickness.	
Screws stands together through door, including the plastic/rubber washers as shown in the drawing.	
Place handle on stand, inserting the Ferrules into the stand.	
Tighten Grub Screws.	
Glass Fixing Kits with Rubber/Plastic parts are sold seperately	
Rear Fixing Studs are available when only one side requires a handle.	