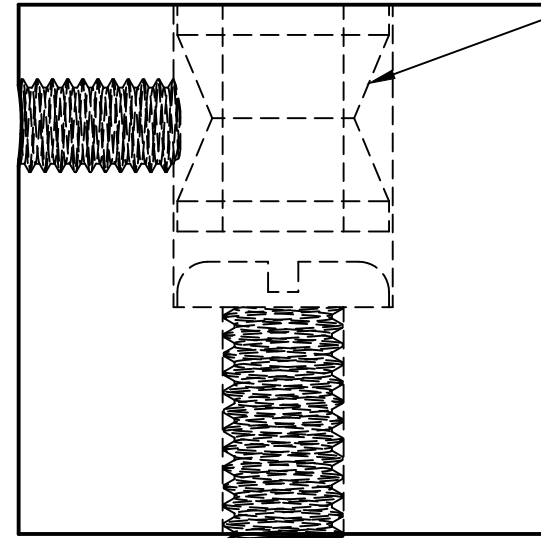
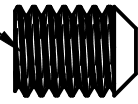


M19 Dimensions		
PRODUCT CODE	A	THRU FIXING HOLE SIZE
EHSFM19.10.100	100	8
EHSFM19.10.150	150	8
EHSFM19.10.200	200	8

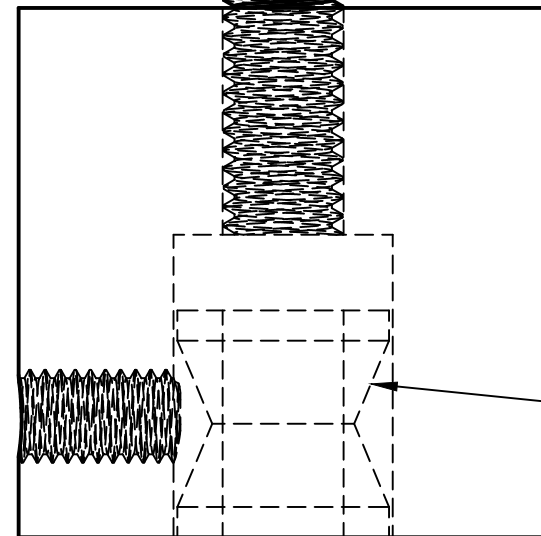
Grub Screw



Brass Ferrule

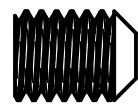
Handle Stand

M8 Bolt



Threaded  
Handle Stand

Brass Ferrule



### Installation Instructions

IMPORTANT! Mark and drill door from both sides.

Cut bolt to required length. Allow 30mm longer than door thickness.

Screw stands together through door.

Place handle on stand, inserting Ferrules into stand.

Tighten Grub Screws

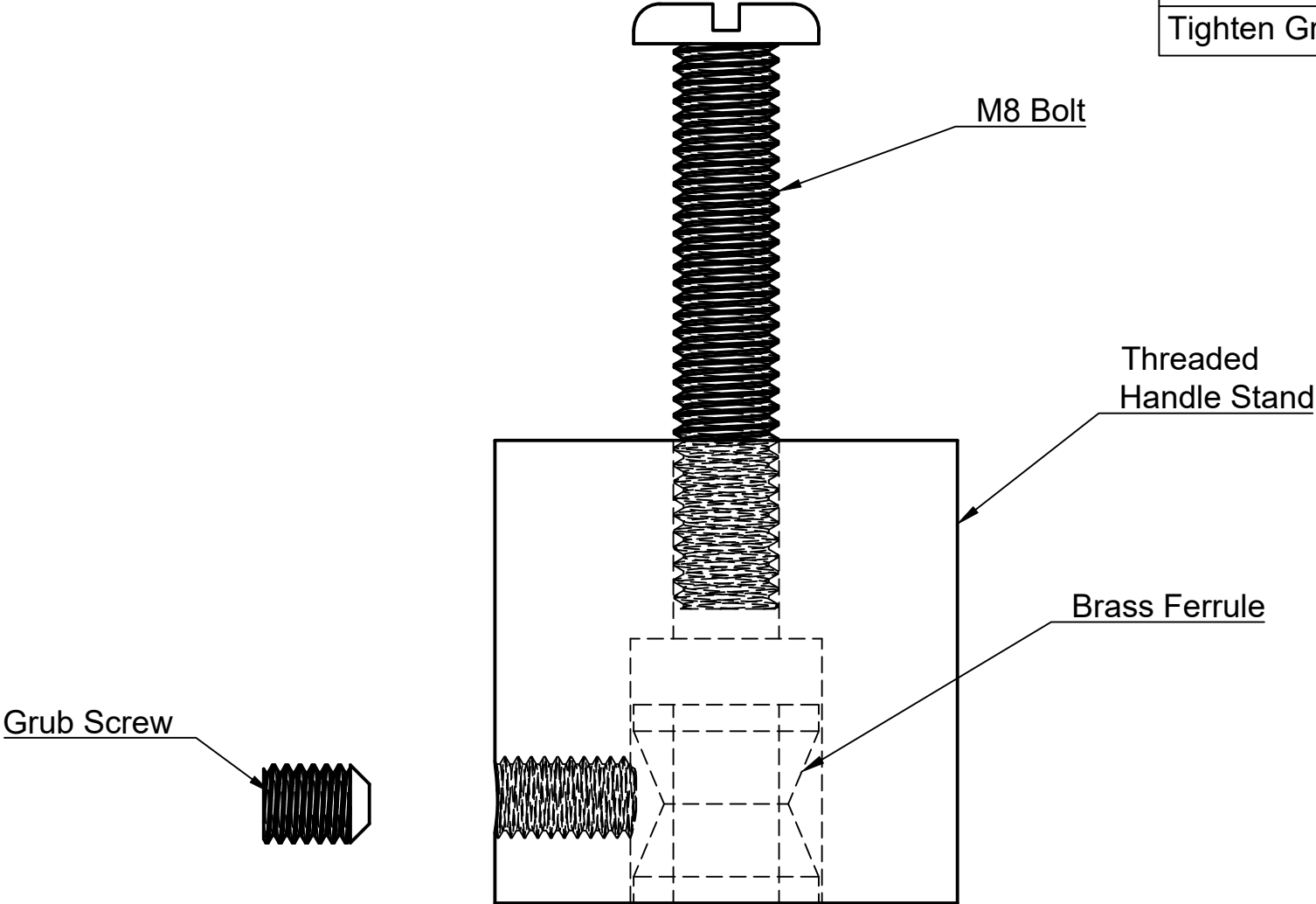


Drawing  
Entrance Handle Fixing B2B

Date  
2/02/2023

Scale  
2:1

Installation Instructions
IMPORTANT! Mark and drill door from both sides.
Cut bolt to required length. Allow 15mm longer than door thickness.
Screw stands from behind to door.
Place handle on stand, inserting Ferrules into stand.
Tighten Grub Screws



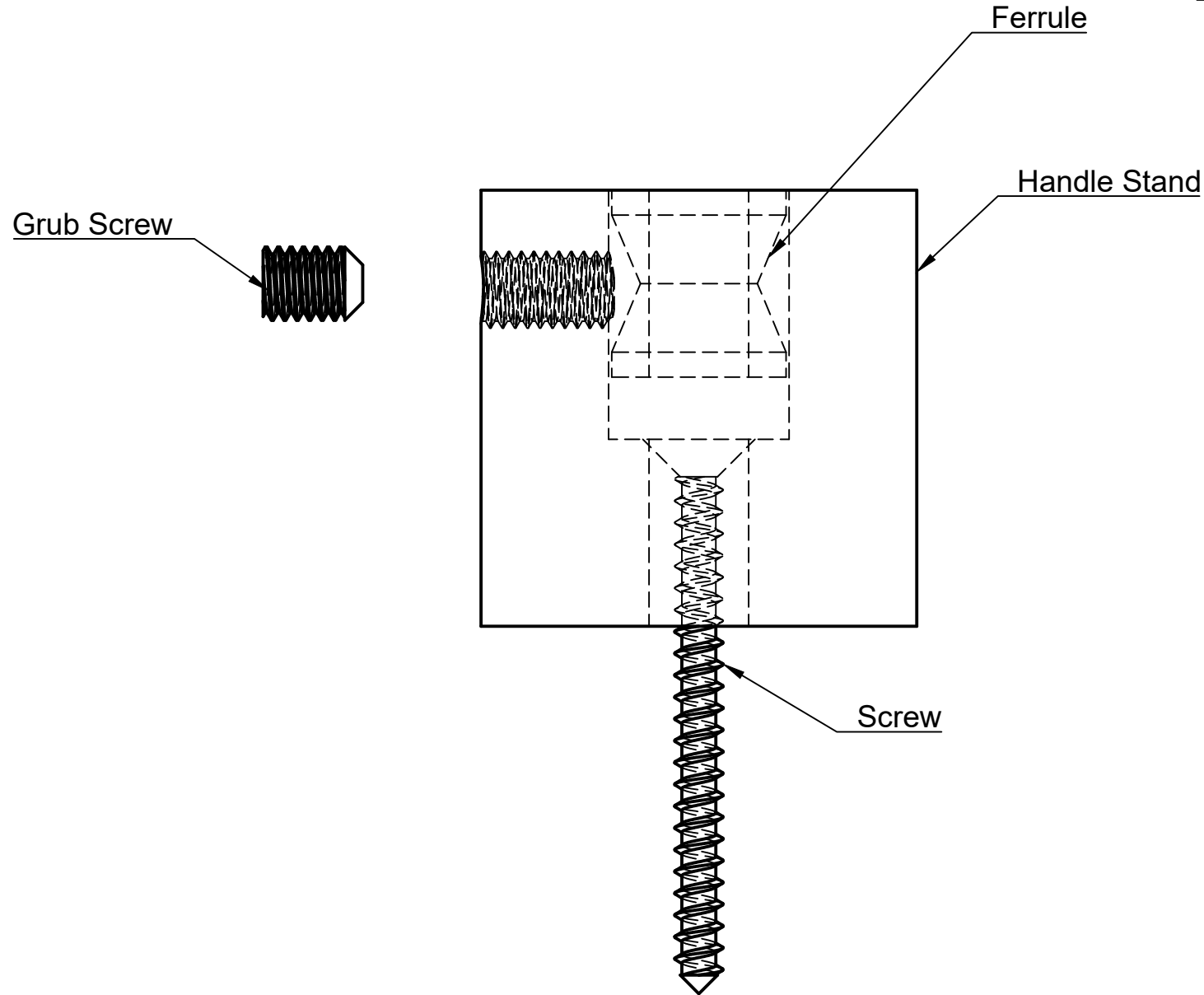
Drawing  
Entrance Handle Rear Fixing  
Date  
2/02/2023  
Scale  
2:1

**Installation Instructions**

Screw stand to door.

Place handle on stand, inserting Ferrules into stand.

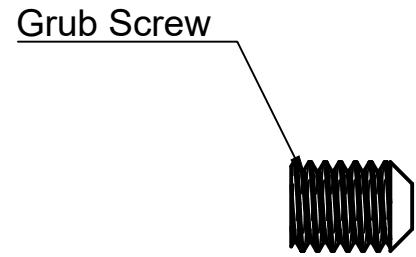
Tighten Grub Screws



Drawing  
Entrance Handle Surface Fixing

Date  
2/02/2023

Scale  
2:1



Brass Ferrule

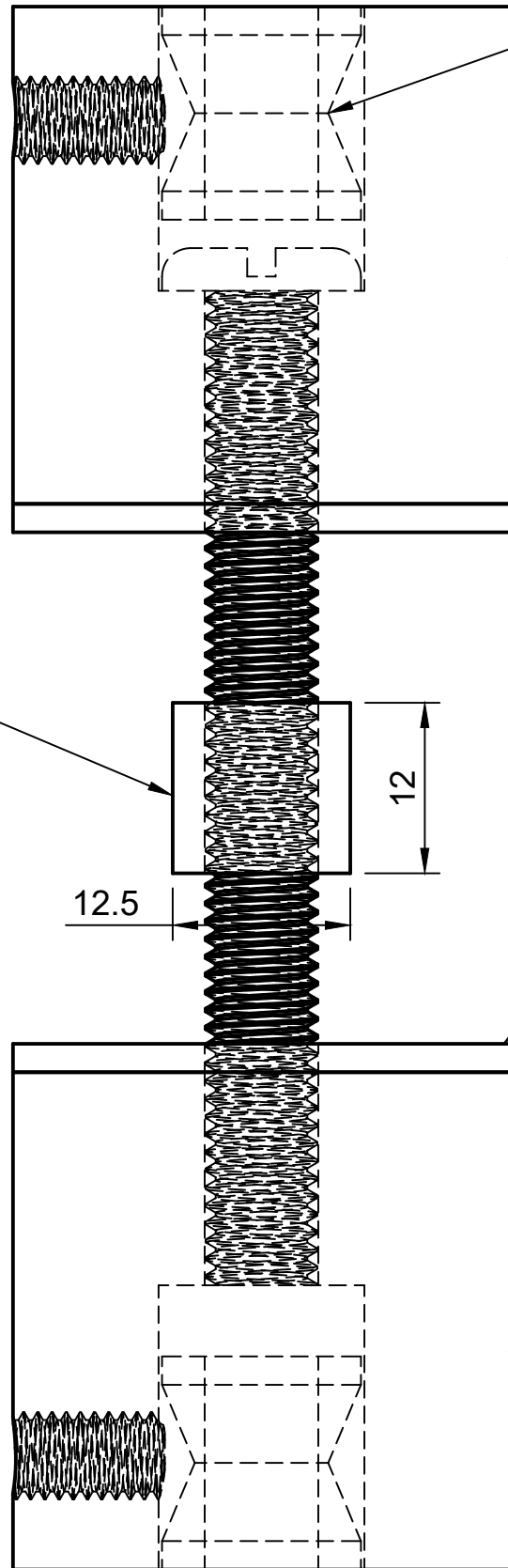
Handle Stand

Plastic/Rubber Washer  
(only for glass fixing)

Plastic/Rubber Washer  
(only for glass fixing)

Plastic/Rubber Washer  
(only for glass fixing)

Threaded Handle Stand



### Glass Fixing Installation Instructions

- Drill 13mm holes for bolt and plastic/rubber washer
- Check dimensions carefully prior to drilling holes, each handle in our range is different.
- Cut bolt to required length. Allow 30mm longer than the door thickness.
- Screws stands together through door, including the plastic/rubber washers as shown in the drawing.
- Place handle on stand, inserting the Ferrules into the stand.
- Tighten Grub Screws.
- Glass Fixing Kits with Rubber/Plastic parts are sold seperately
- Rear Fixing Studs are available when only one side requires a handle.



Drawing  
Entrance Handle Glass Fixing B2B  
Date  
30/08/2024  
Scale  
2:1