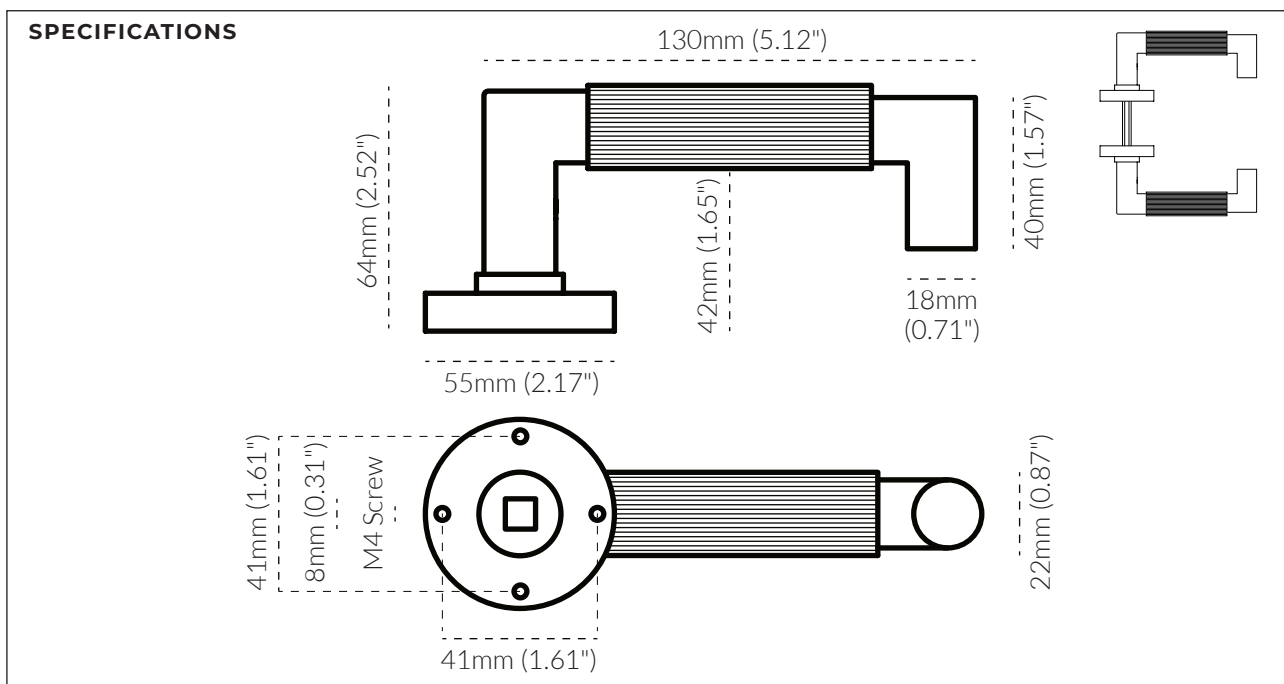

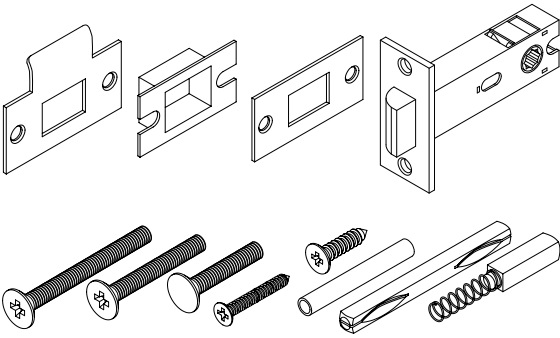








LINEAR RETURN LEVER SET

TECH SPEC



FINISH	SKU	FIXINGS ALSO INCLUDED
 Natural Brass	4229L-US4	<ul style="list-style-type: none"> - 1x Striker Plate - 1x Latch Plate - 1x Latch Pocket - 1x Latch - 2x M4 * 15mm Screw - 2x M4 * 25mm Screw - 2x M4 * 35mm Screw - 4x 2ga Screw - 8x 1ga Self-tapping Screw - 2x M4 Screw Extension - 1x M8 Pin - 2x M8 Spring Pin 
 Aged Brass	4229L-AB	
 Bronze	4229L-BR	
 Brushed Nickel	4229L-BN	
 Matte Black	4229L-US19	

CARE INSTRUCTIONS

Wipe with damp cloth and avoid using any chemicals.

PRODUCT INFO

- Also compatible with mortice locks.
- Suitable for installation on 32mm to 45mm thick doors.