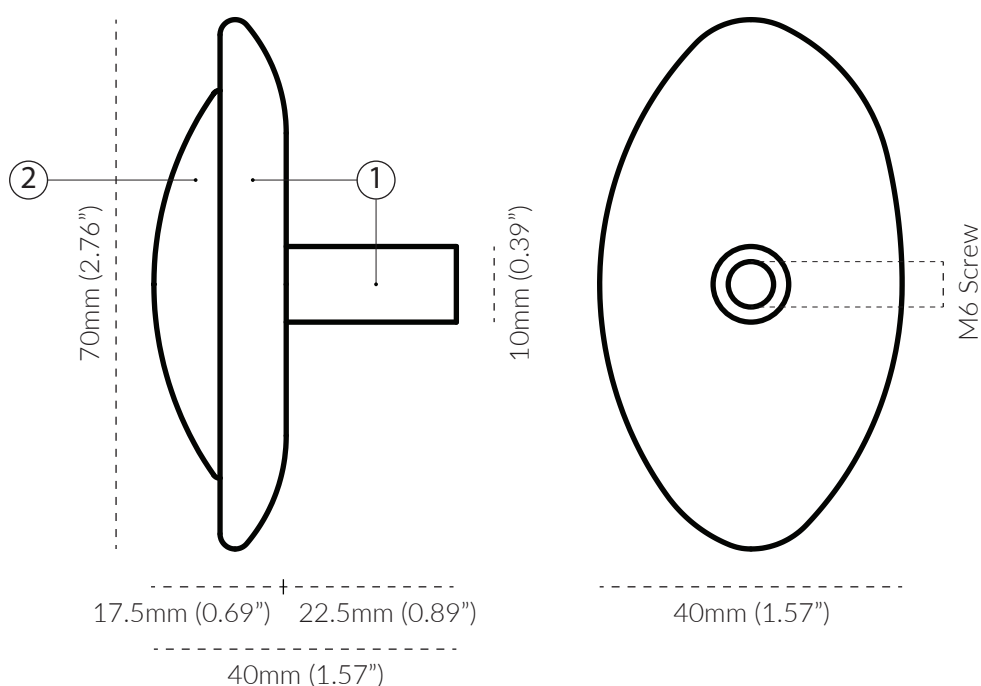


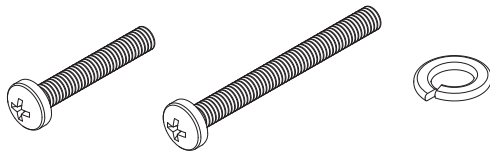


DUET KNOB

TECH SPEC

SPECIFICATIONS



FINISH	SKU	FIXINGS ALSO INCLUDED
<ul style="list-style-type: none"> • Colourway 1 (Brass) <ul style="list-style-type: none"> • (1) Brushed Brass • (2) Polished Nickel • Colourway 2 (Polished Nickel) <ul style="list-style-type: none"> • (1) Polished Nickel • (2) Brushed Brass 	<ul style="list-style-type: none"> • 4107-KNOB-C1-US4 • 4107-KNOB-C2-PN 	<ul style="list-style-type: none"> - 1x M5 * 25mm Screw - 1x M5 * 40mm Screw - 1x M5 Spring Washer 

CARE INSTRUCTIONS

Wipe with damp cloth and avoid using any chemicals.