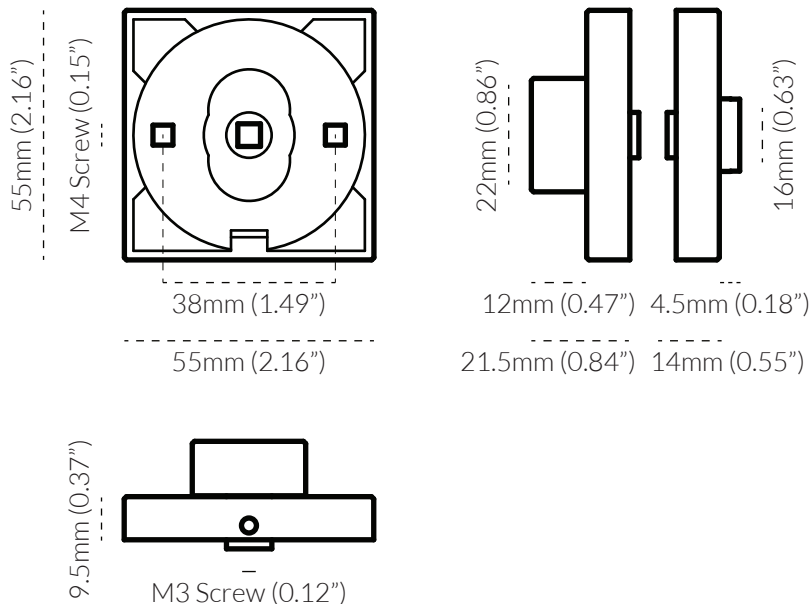
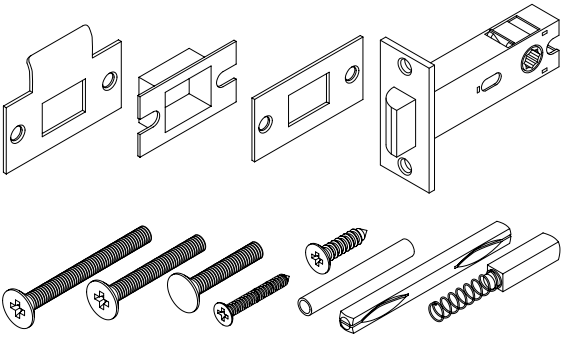


FORMA PRIVACY TURN

TECH SPEC

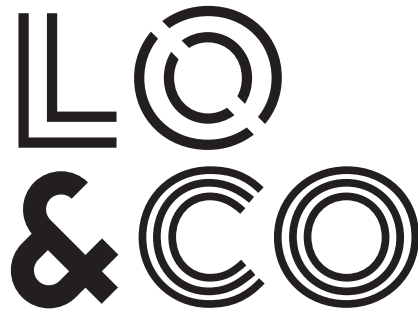
SPECIFICATIONS



| FINISH | SKU | FIXINGS ALSO INCLUDED |
|---|--|---|
| <ul style="list-style-type: none"> • Natural Brass • Tumbled Brass • Bronze • Polished Nickel • Brushed Nickel | <ul style="list-style-type: none"> • LO-006-US4 • LO-006-TB • LO-006-BR • LO-006-PN • LO-006-BN | <ul style="list-style-type: none"> • 1x Striker Plate • 1x Latch Plate • 1x Latch Pocket • 1x Latch • 2x M4 * 15mm Screw • 2x M4 * 25mm Screw • 2x M4 * 35mm Screw • 4x 2ga Screw • 8x 1ga Self-tapping Screw • 2x M4 Screw Extension • 1x M5 Pin • 2x M5 Spring Pin  |

CARE INSTRUCTIONS

Wipe with damp cloth and avoid using any chemicals.

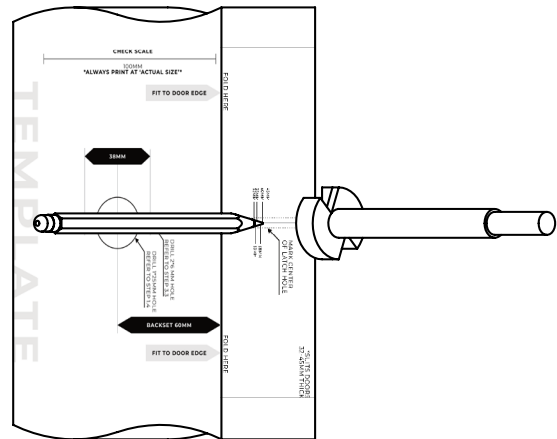


FORMA PRIVACY TURN

INSTALLATION INSTRUCTIONS

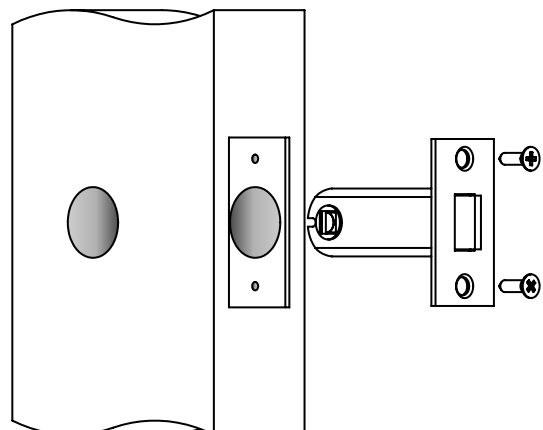
STEP 1 - FITTING THE LATCH BOLT

- 1.1. Choose your Privacy Turn height on your door. The recommended height is between 900mm and 1000mm.
- 1.2. At your chosen height, draw a horizontal line across the face of the door from the edge.
- 1.3. From the edge of the door, measure 60mm inward along the horizontal line and mark this point.
- 1.4. From the 60mm mark, measure 19mm to the left and 19mm to the right and mark these points.
- **Tip:** Alternatively, use the printed template. Ensure it is printed to scale.
- 1.5. Repeat the marking process on the opposite side of the door.
- 1.6. At the 60mm mark, drill a 25mm hole through the door face.
- **Tip:** Drill halfway through from one side, then complete the hole from the opposite side to reduce splintering.
- 1.7. Drill two 6mm holes at the side marks (these points are 38mm apart).
- 1.8. On the door edge, drill a 25mm hole for the latch, ensuring it aligns with the previously drilled face hole



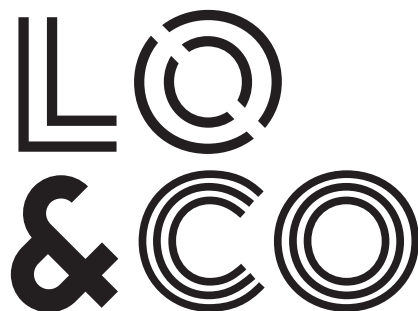
STEP 2 - INSTALLING THE LATCH BOLT

- 2.1. Insert the bolt into the 25mm hole on the door edge. Position the faceplate flush with the door edge and mark its outline.
- 2.2. Remove the bolt and chisel out a recess so the faceplate sits flush, matching its thickness.
- 2.3. Pre-drill screw holes with a drill bit slightly smaller than the screws to prevent splitting.
- 2.4. Reinsert the latch into the hole and secure it with the provided screws.



NOTES

- Use the included drilling template for accurate hole alignment.
- We recommend engaging a professional installer to fit your hardware for optimal results.

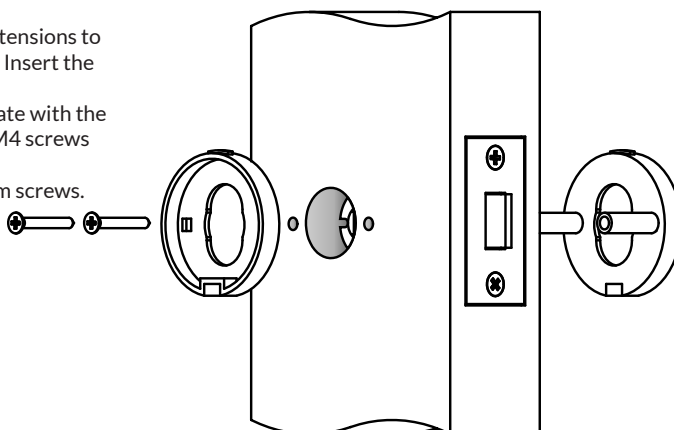


FORMA PRIVACY TURN

INSTALLATION INSTRUCTIONS

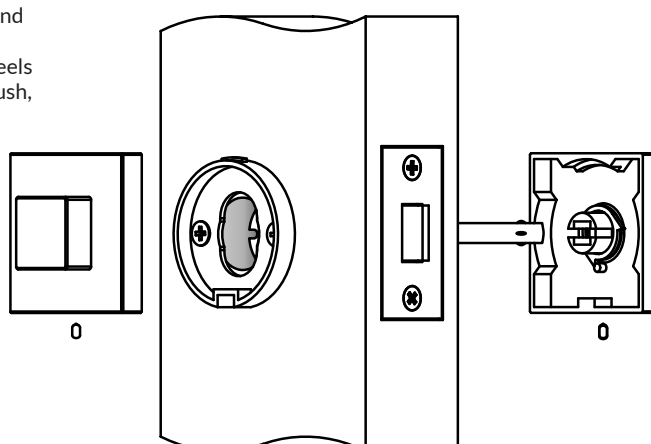
STEP 3 - INSTALLING THE FITTING PLATES

- 3.1. Loosen the grub screws on each lever to remove and expose the fitting plates.
- 3.2. On the outward-facing side, attach the two screw extensions to the fitting plate using the flat-end 10mm M4 screws. Insert the fitting plate into the latch hub.
- 3.3. On the inward-facing side, align the second fitting plate with the first, and connect both sides by securing the 25mm M4 screws into the screw extensions.
 - For doors up to 45mm thick, use the included 35mm screws.
- 3.4. Ensure all fixings are fully tightened.



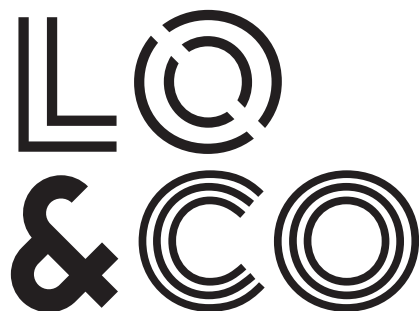
STEP 4 - FITTING THE PRIVACY TURN

- 4.1. Insert the spindle into the follower with the crimped end facing outward (towards the emergency release side).
 - **Tip:** If installing on 32mm doors, where the spindle feels too tight or prevents the Privacy Turn from sitting flush, the spindle can be trimmed to suit.
- 4.2. Position each side of the Privacy Turn with the grub screw hole facing downward. Fit the Privacy Turn and Emergency Release halves over the fitting plates and tighten the grub screws until fully engaged.
- 4.3. Gently pull on each side and operate the Privacy Turn to ensure it is secure and moves smoothly.



NOTES

- Use the included drilling template for accurate hole alignment.
- We recommend engaging a professional installer to fit your hardware for optimal results.

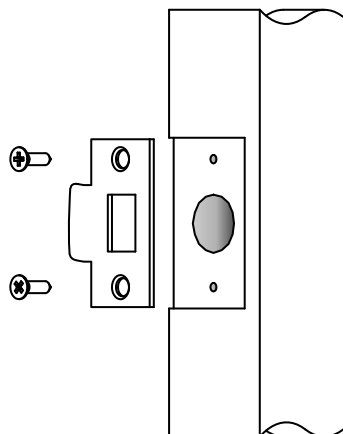


FORMA PRIVACY TURN

INSTALLATION INSTRUCTIONS

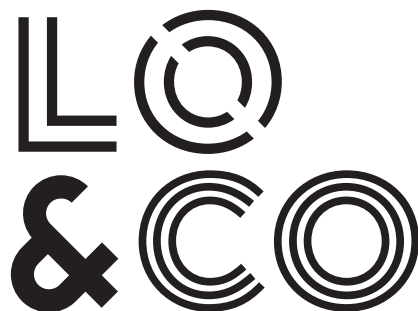
STEP 5 - INSTALLING THE STRIKER PLATE

- 5.1. Position the striker plate on the door frame so it aligns with the bolt or latch.
- 5.2. Mark the outline of the striker plate on the frame.
- 5.3. Chisel out a recess for the striker plate so it sits flush and matches its thickness.
- 5.4. Predrill the screw holes for the striker plate.
- 5.5. Attach the striker plate with the provided screws and tighten securely.
- 5.6. Close the door and test the privacy turn. Adjust the striker plate if necessary for smooth operation.



NOTES

- Use the included drilling template for accurate hole alignment.
- We recommend engaging a professional installer to fit your hardware for optimal results.

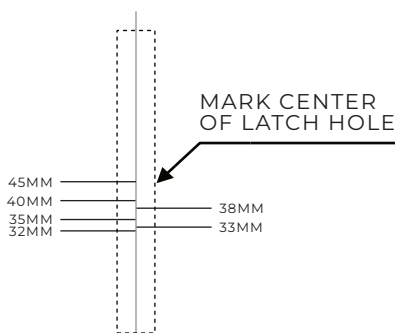


FORMA PRIVACY TURN

INSTALLATION INSTRUCTIONS

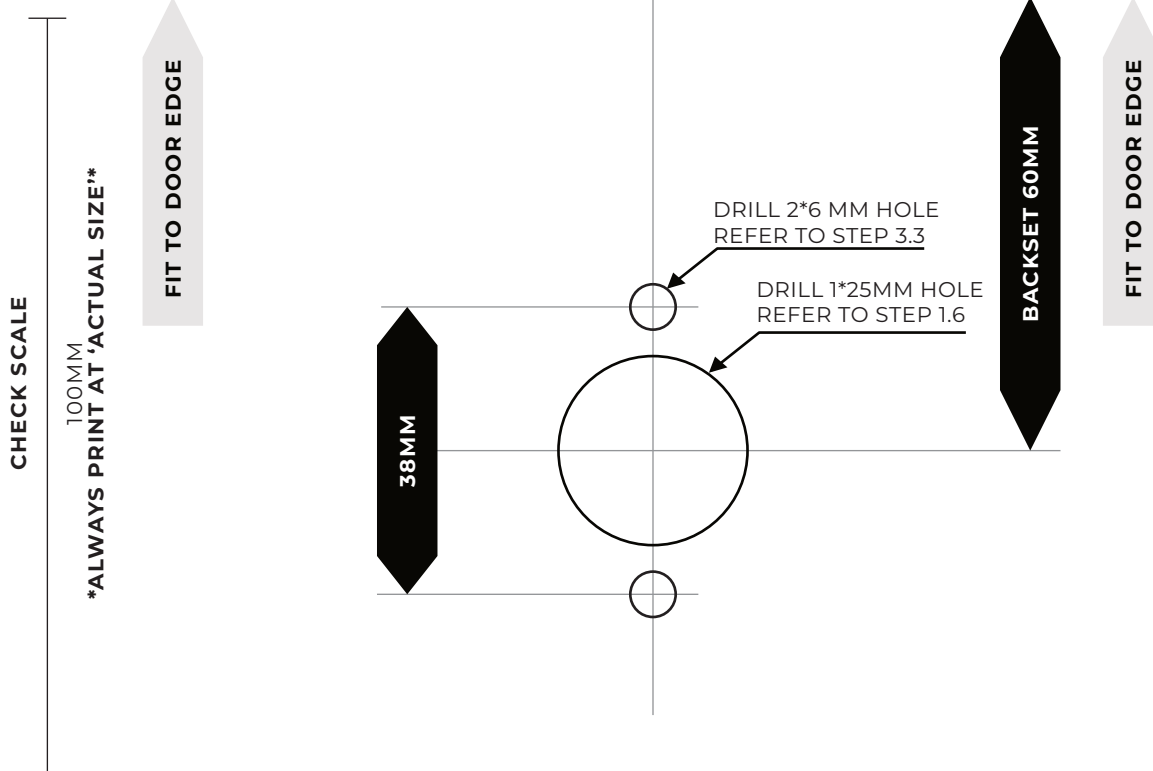


*SUITS DOORS
32-45MM THICK



FOLD HERE

FOLD HERE



TEMPLATE