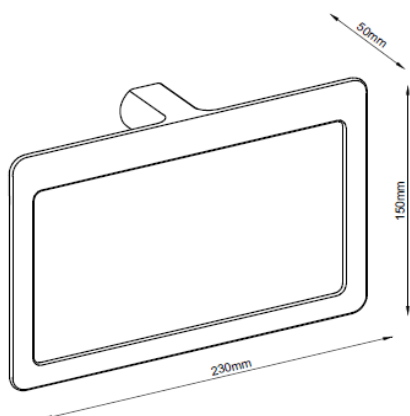
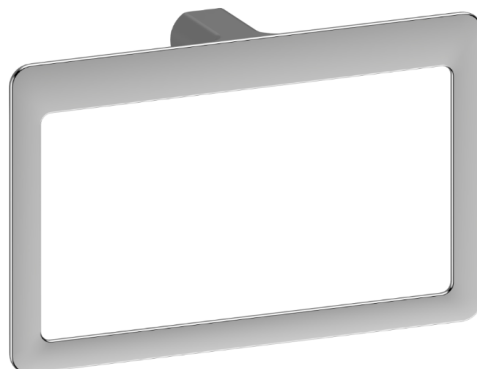


Rubie Hand Towel Holder

RU-103

Finish: Chrome, Matt Black Powder Coat, Satin Nickel PVD, Matt Black PVD, Satin Rose Gold PVD, Satin Brass PVD and Gun Metal PVD.



Rubie is modern minimalism with an edgy design that allows you to incorporate this range into your dream bathroom. With its sleek, rounded profile it embodies contemporary classics. Available in a range of finishes including Satin Brass, Gun Metal, Matt Black, Satin Rose Gold, Satin Nickel and the timeless elegance of Chrome Plate. The Rubie Collection will complement our Stream Collection of tapware which includes the patented Shield technology.

WARRANTY
7 years

*Conditions apply

BEZZONI
BY BARBEN

www.barben.com.au | Ph: 07 3890 8558

Dimensions are in millimetres and are subject to manufacturing variations. Barben reserves the right to vary specifications at any time without notice. Please confirm all particulars with our sales consultants prior to purchasing the product.

Version:1 2020

