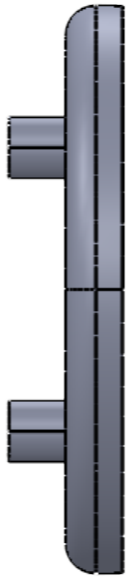
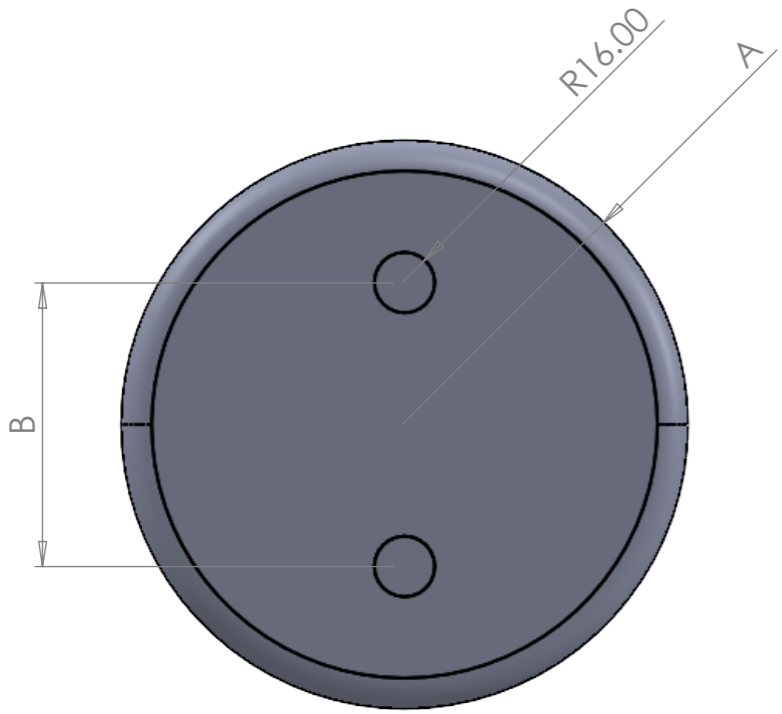
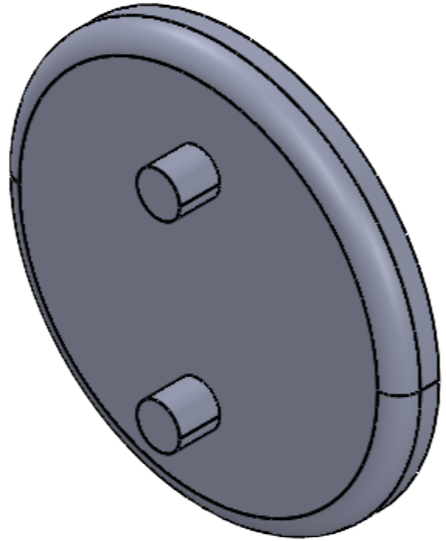
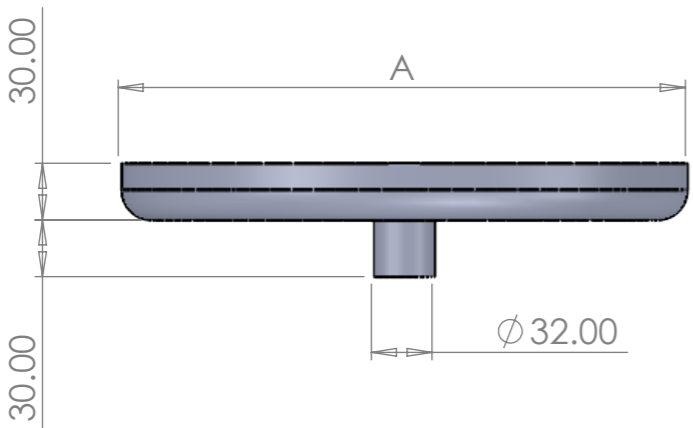


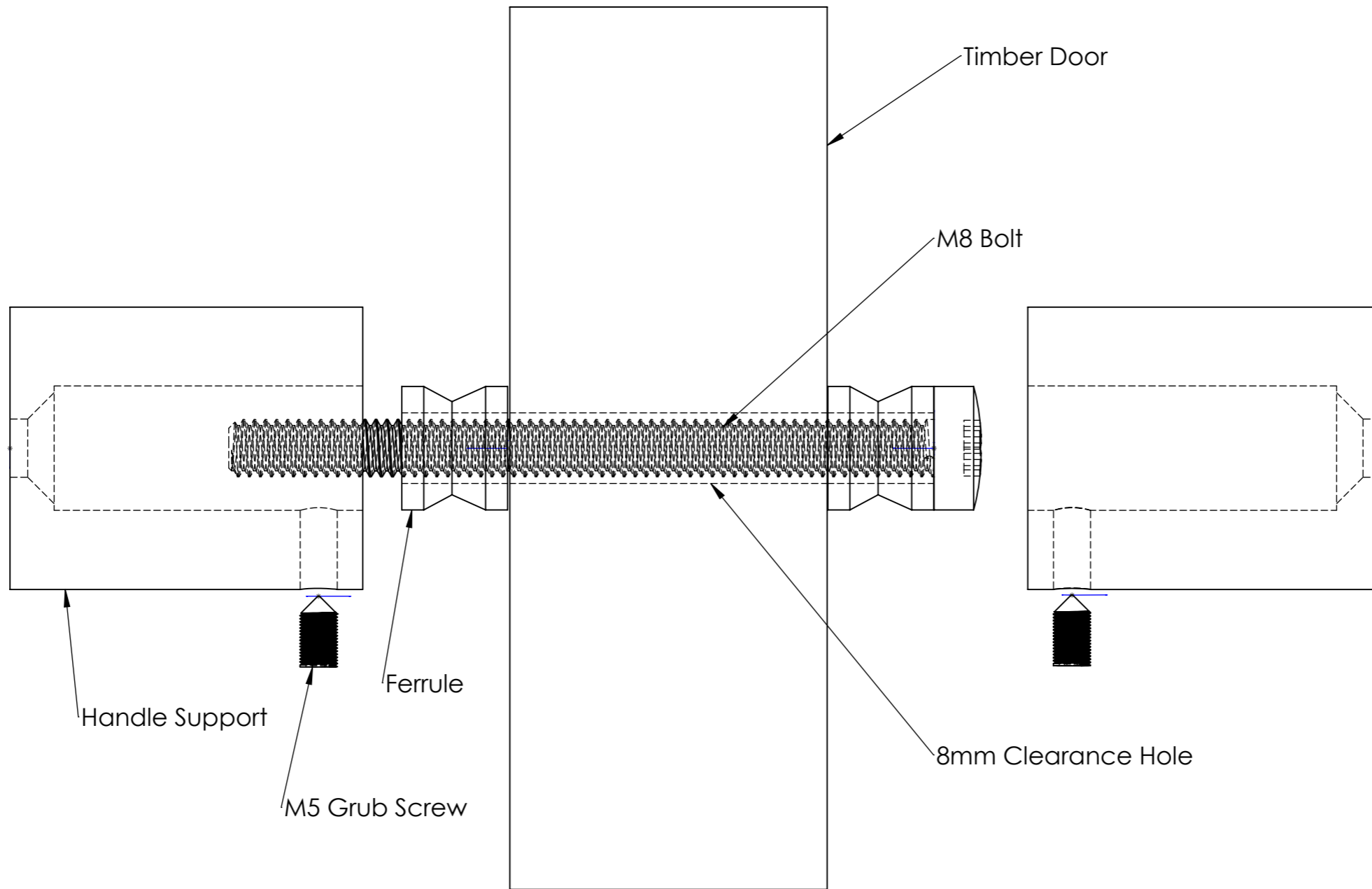
A (DIA)	B (CTC)
150	75
200	100
300	150



UNLESS OTHERWISE SPECIFIED: DIMENSIONS ARE IN MILLIMETERS



Drawing Name: T11			
Material:			
Drawn By: Chris McKenzie	REVISION 1	Page A3	DATE 29-06-2021
SCALE:1:4	SHEET 1 OF 1		



UNLESS OTHERWISE SPECIFIED: DIMENSIONS ARE IN MILLIMETERS



Drawing Name:
Back to Back Timber Fixing Assembly

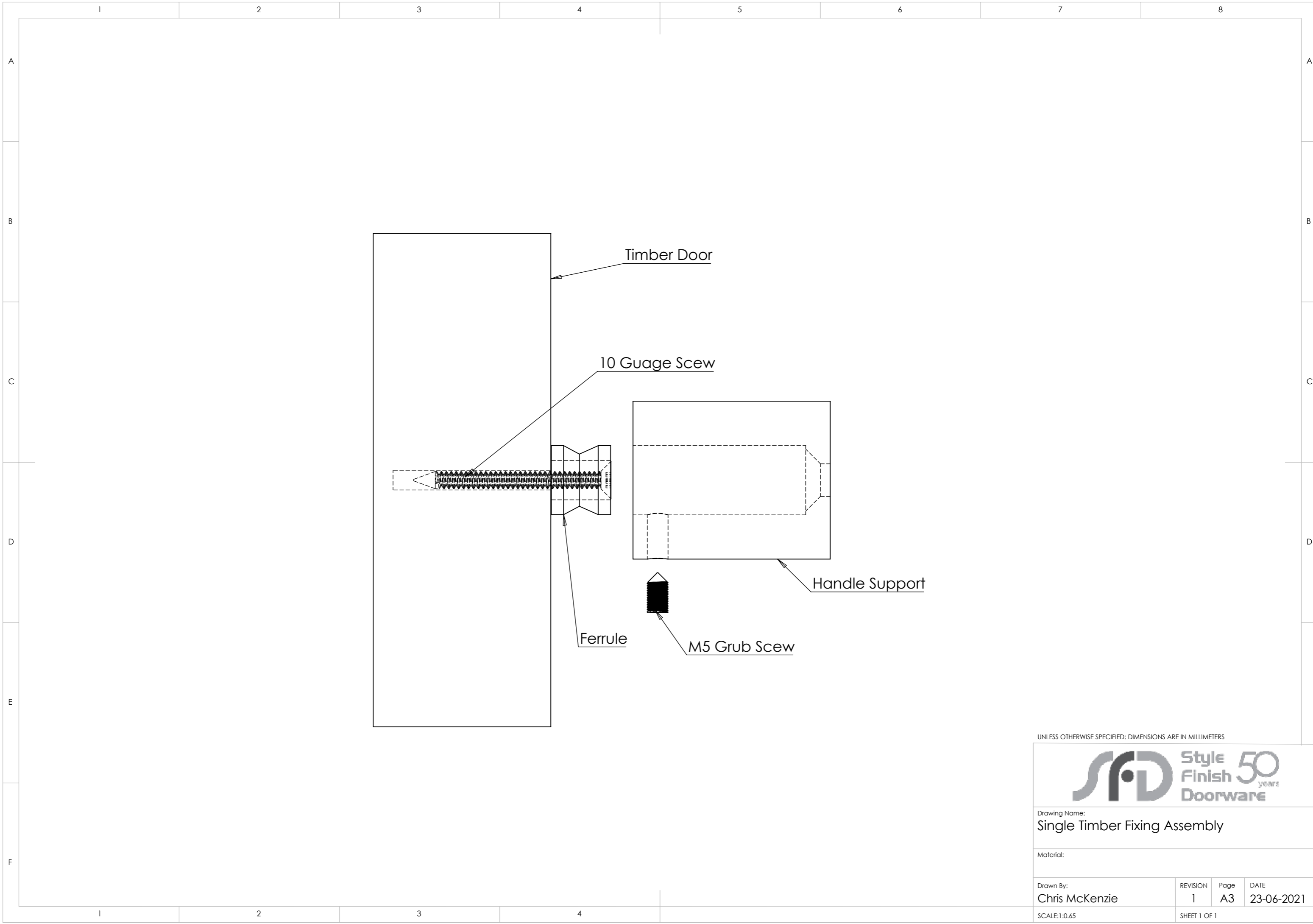
Material:

Drawn By:
Chris McKenzie

REVISION	Page	DATE
1	A3	23-06-2021

SCALE:1:0.6

SHEET 1 OF 1



Timber Door

10 Gauge ScREW

Handle Support

Ferrule

M5 Grub ScREW

UNLESS OTHERWISE SPECIFIED: DIMENSIONS ARE IN MILLIMETERS



Drawing Name:
Single Timber Fixing Assembly

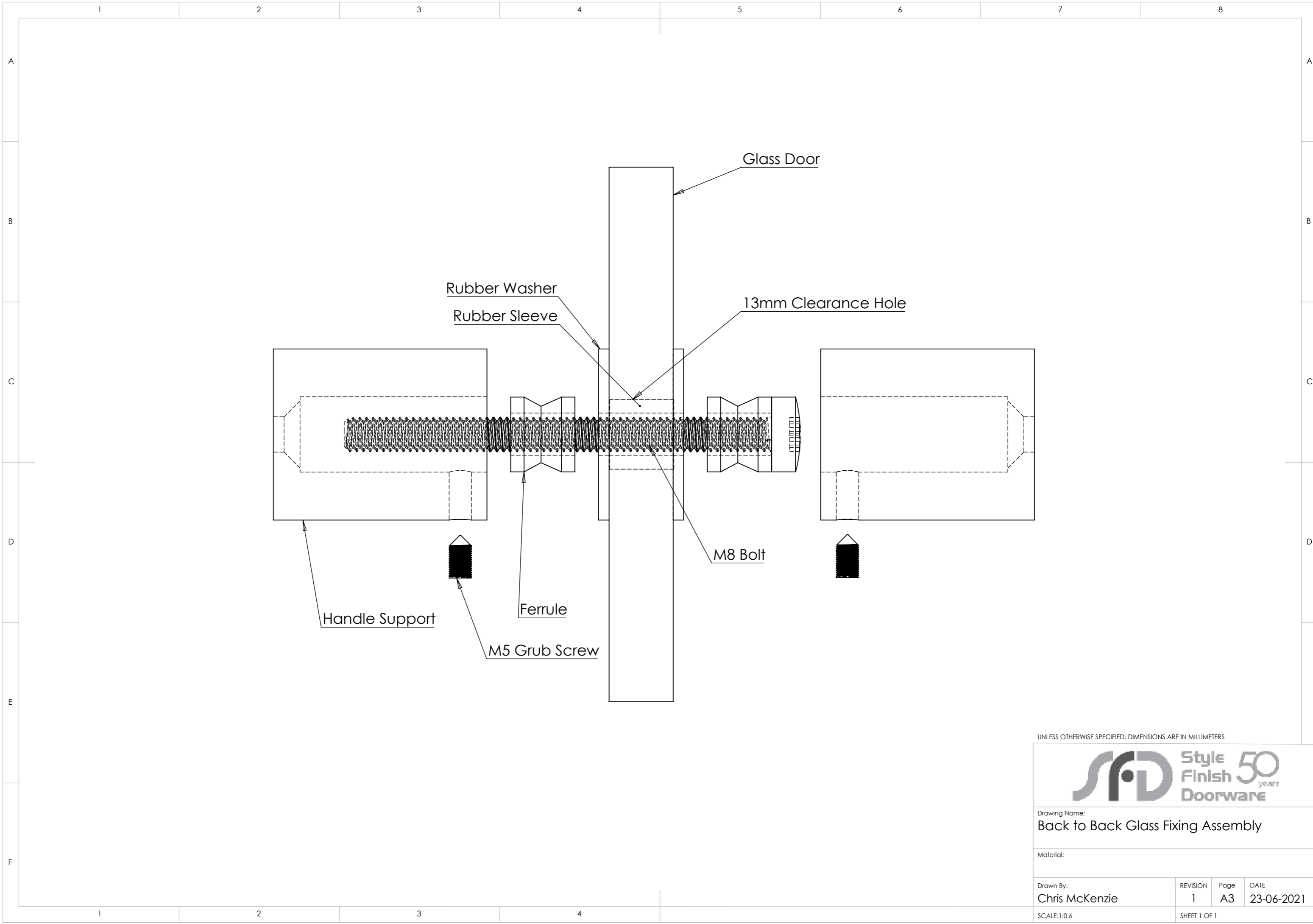
Material:

Drawn By:
Chris McKenzie

REVISION	Page	DATE
1	A3	23-06-2021

SCALE:1:0.65

SHEET 1 OF 1



UNLESS OTHERWISE SPECIFIED: DIMENSIONS ARE IN MILLIMETERS



Drawing Name:
Back to Back Glass Fixing Assembly

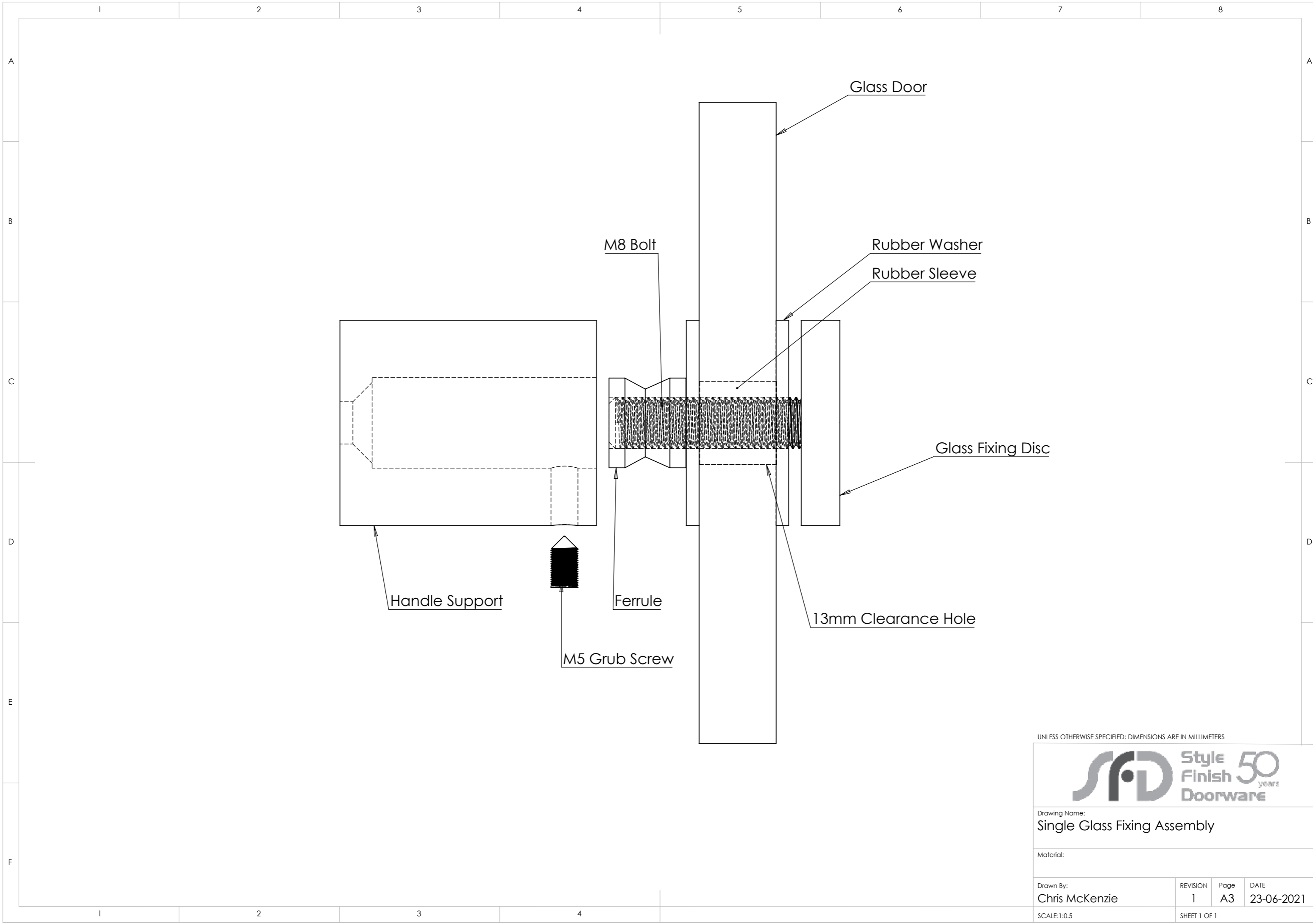
Material:

Drawn By:
Chris McKenzie

REVISION	Page	DATE
1	A3	23-06-2021

SCALE:1:0.6

SHEET 1 OF 1



Glass Door

M8 Bolt

Rubber Washer

Rubber Sleeve

Glass Fixing Disc

Handle Support

Ferrule

13mm Clearance Hole

M5 Grub Screw

UNLESS OTHERWISE SPECIFIED: DIMENSIONS ARE IN MILLIMETERS



Drawing Name:
Single Glass Fixing Assembly

Material:

Drawn By:
Chris McKenzie

REVISION	Page	DATE
1	A3	23-06-2021

SCALE:1:0.5

SHEET 1 OF 1