



UNLESS OTHERWISE SPECIFIED: DIMENSIONS ARE IN MILLIMETERS



Drawing Name:

T12

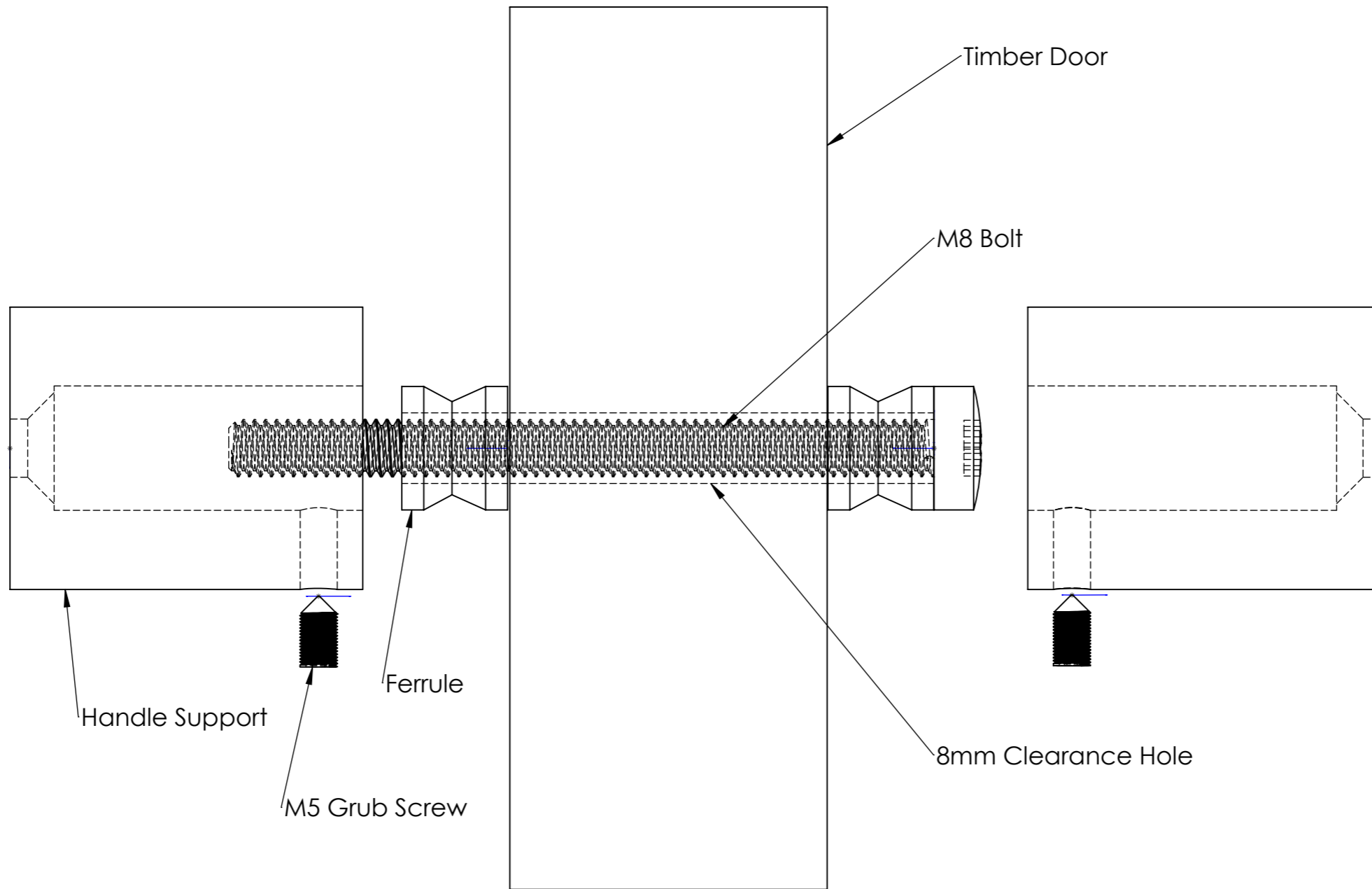
Material:

Drawn By:  
Chris McKenzie

REVISION	Page	DATE
1	A3	29-06-2021

SCALE:1:5

SHEET 1 OF 1



UNLESS OTHERWISE SPECIFIED: DIMENSIONS ARE IN MILLIMETERS



Drawing Name:  
Back to Back Timber Fixing Assembly

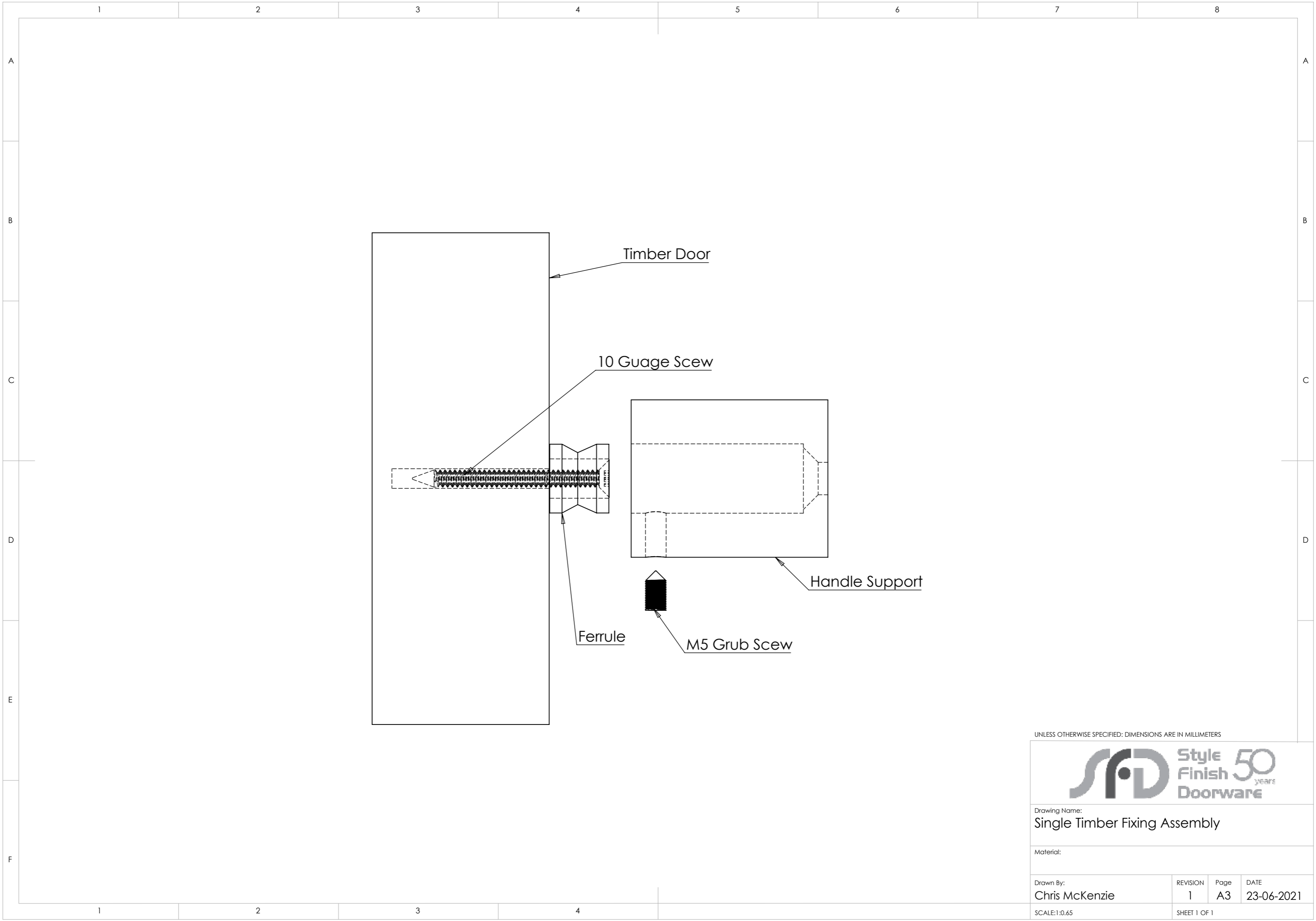
Material:

Drawn By:  
Chris McKenzie

REVISION	Page	DATE
1	A3	23-06-2021

SCALE:1:0.6

SHEET 1 OF 1



Timber Door

10 Gauge ScREW

Handle Support

Ferrule

M5 Grub ScREW

UNLESS OTHERWISE SPECIFIED: DIMENSIONS ARE IN MILLIMETERS



Drawing Name:  
Single Timber Fixing Assembly

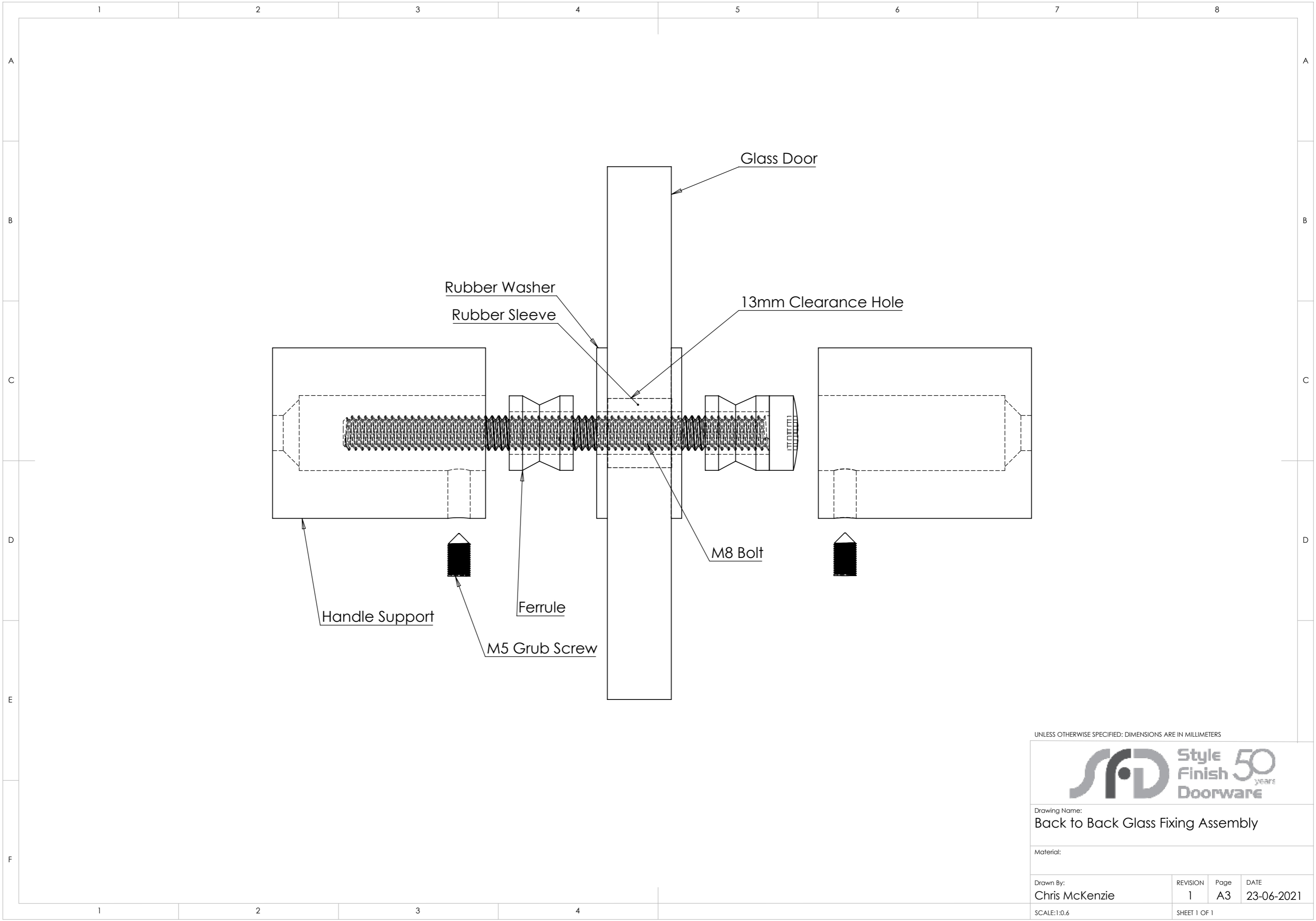
Material:

Drawn By:  
Chris McKenzie

REVISION	Page	DATE
1	A3	23-06-2021

SCALE:1:0.65

SHEET 1 OF 1



UNLESS OTHERWISE SPECIFIED: DIMENSIONS ARE IN MILLIMETERS



Drawing Name:  
Back to Back Glass Fixing Assembly

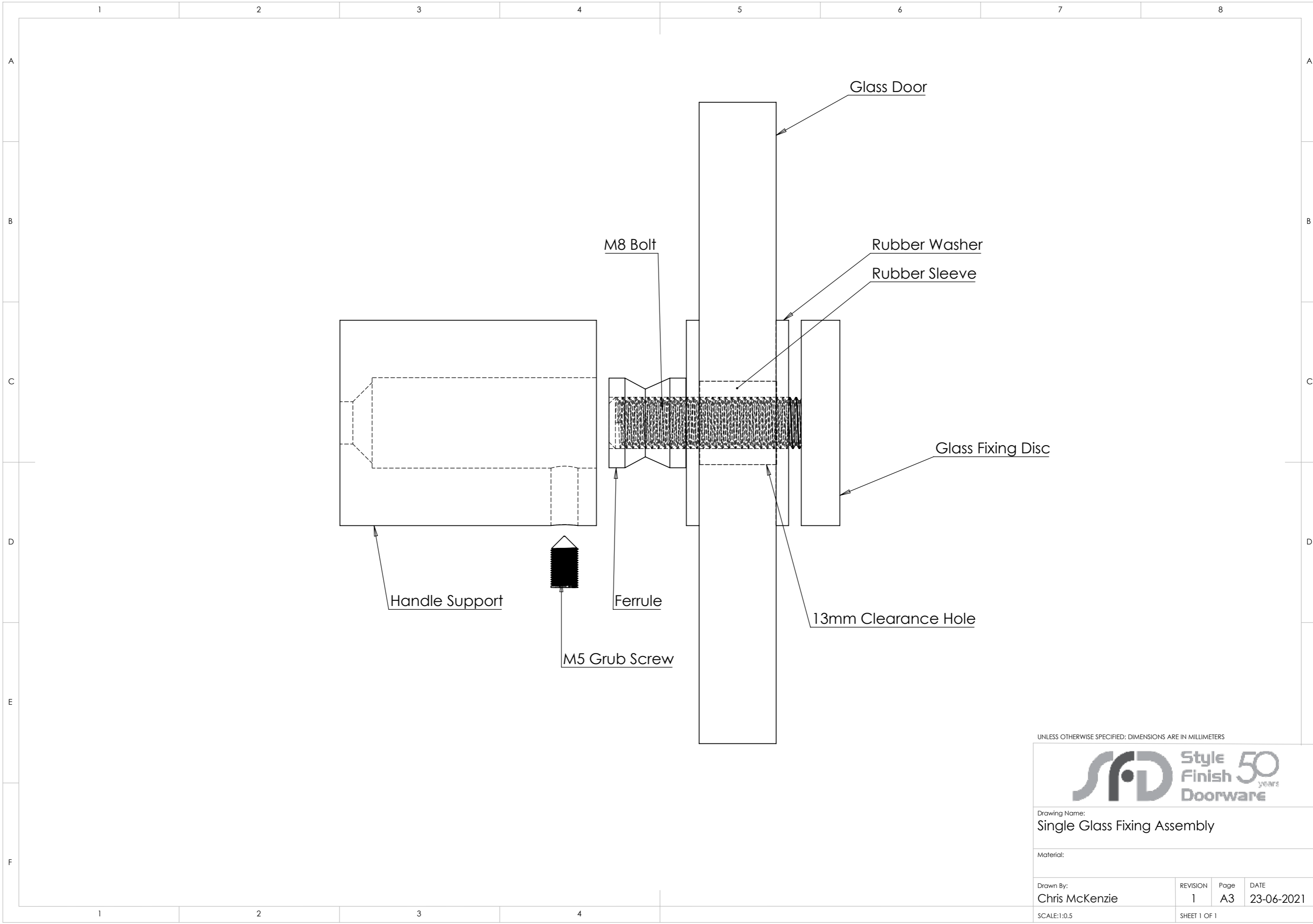
Material:

Drawn By:  
Chris McKenzie

REVISION	Page	DATE
1	A3	23-06-2021

SCALE:1:0.6

SHEET 1 OF 1



UNLESS OTHERWISE SPECIFIED: DIMENSIONS ARE IN MILLIMETERS



Drawing Name:  
Single Glass Fixing Assembly

Material:

Drawn By:  
Chris McKenzie

REVISION	Page	DATE
1	A3	23-06-2021

SCALE:1:0.5

SHEET 1 OF 1