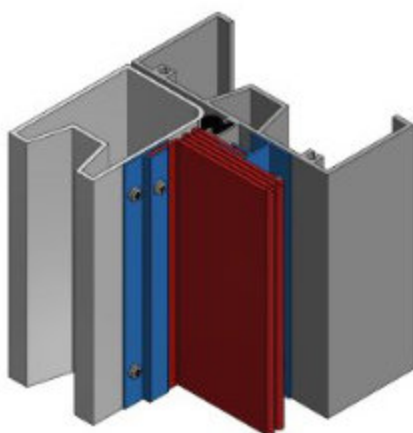
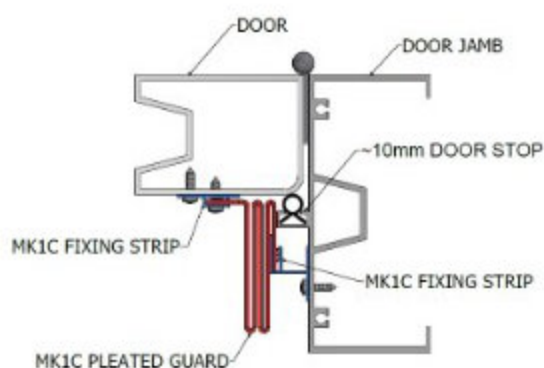


MK1C

This model uses the MK1A pleated guard, but has a unique fixing strip for fitting on various doors. There is only one version of MK1C but it has varied fitting instructions depending on the door. Here are some common installations of the MK1C:

Aluminium Frames

The MK1C is the best fit for standard aluminium framed doors with a slim protruding doorstop (generally 10 mm). Allows a full 180 degrees on a maximum opening of 12.5 cm and can be adapted to fit doors with a maximum opening of up to 21.5 cm.



Bi-fold

The MK1C fitted to bi-fold doors allows the pleated guard to lay flat against the closed doors.

With the MK1C fitted bi-folds can fully open. Depending on the arrangement of the doors the MK1A and MK1B may also be required for full protection on bi-folds.

